

INSTRUCTIONS FOR RF WINDOW GLASS AND GASKETING INSTALLATION

MATERIALS LEGEND

- [1] KSP ELECTROSONIC NEOPRENE SEAL
- [2] WALL RF FILM (INSTALLED PRIOR TO FRAME)
- [3] KSP REMOVABLE TRIM
- [4] STAINLESS STEEL (SS) GLASS STOPS
- [5] 1/8" THICK GLAZING TAPE
- [6] EMI GLASS
- [7] LAMINATE GLASS
- [8] 18 GAUGE PERFORATED STOP

INSTALLATION INSTRUCTIONS

- Remove the SS glass stops [4] from the frame.
- Apply the KSP Electrosonic Neoprene Seal [1] along the entire interior perimeter of the integral frame stop on the side of the opening containing the EMI glass [6].
- Install glazing tape [5] on the inside of the removable stops/vision lite frame and on the perforated metal stop [8]. The tape should be applied to the entire perimeter of the glass pane in order to make continuous contact with the glazing on both sides.
- Thoroughly clean glass prior to installation. Follow manufacturer's instructions for cleaning polycarbonate and whitewater glass as certain cleaners may damage the glass.
- UL marking list must remain visible on the exterior side, if applicable.
- Line the perimeter of the of the frame where the edge glass will rest against it with two layers of 1/8" glazing tape [5] on the laminated glass side [7].
- Install the EMI glass [6] and reinstall the glass stops [4], repeat step for the laminate glass side.

INSTRUCTIONS FOR RF WINDOW GLASS AND GASKETING INSTALLATION

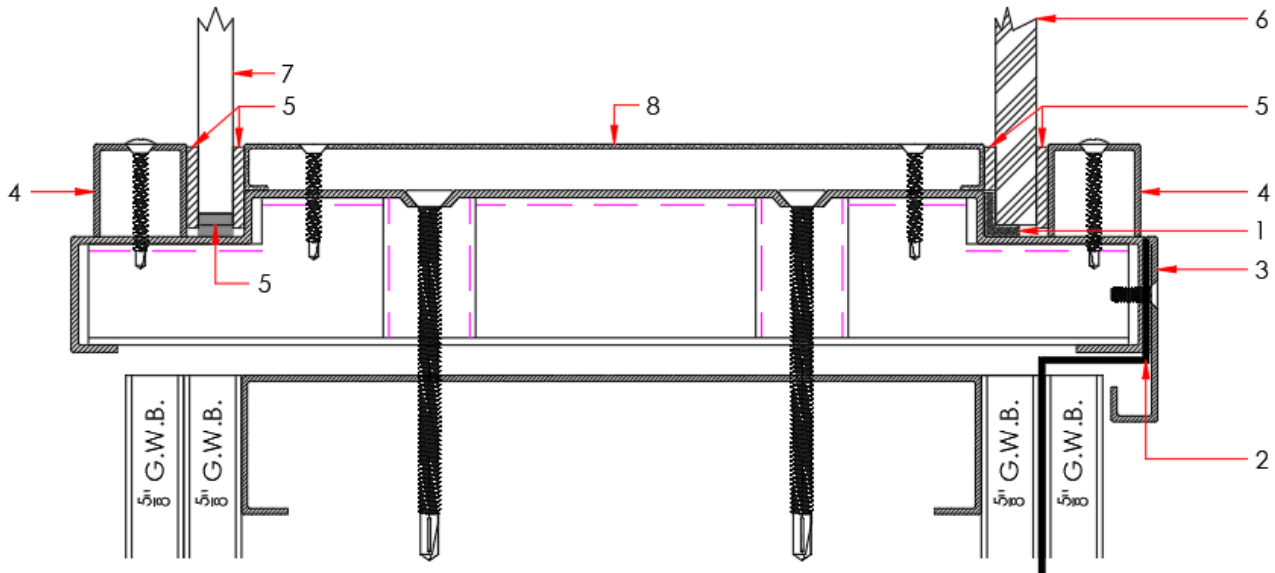


FIGURE A

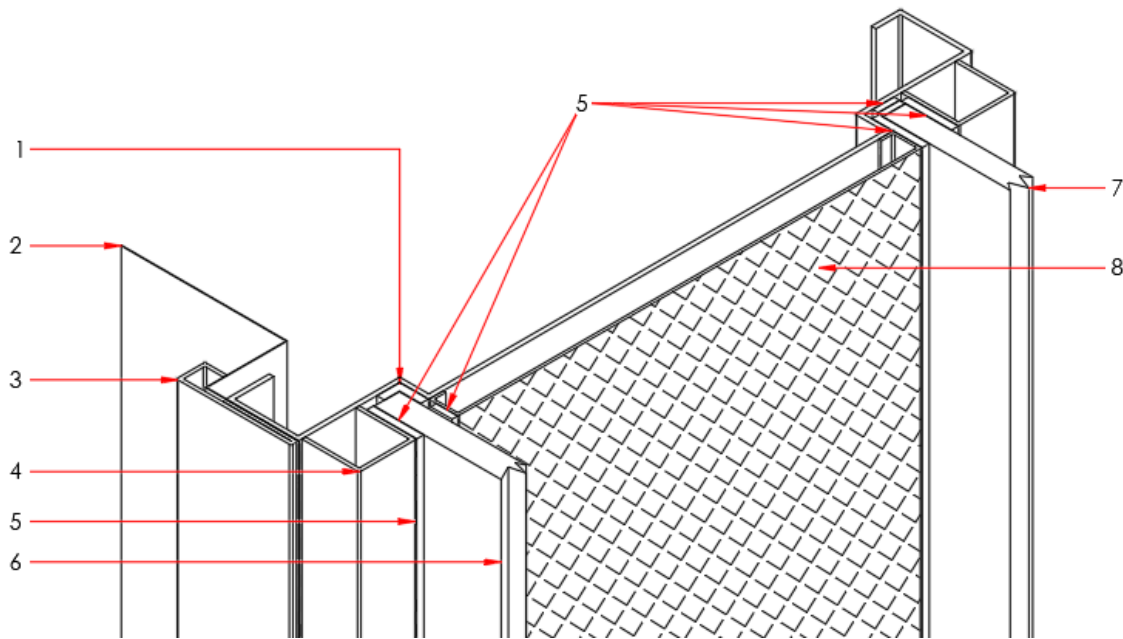


FIGURE B