

## INSTALLATION GUIDE IG# 307



# INSTRUCTIONS FOR MOUNTING AND ADJUSTING RF / ACOUSTIC PERIMETER SEAL (1 3/4" DOOR PANEL, RNC1 SINGLE-SEAL)

### WARNING REGARDING PAINT AND RF SEALS

The polished stainless door edges, seal retainers, and wire mesh seals must remain free of paint. All paint applied to the doors and frames should be completely dry BEFORE adjusting RF seals. Please be sure to use Low VOC solvent or water-based paint to reduce paint outgassing from breaking down the gasket seal. Paint **SHOULD NOT** be applied to the contact point between the seal and door panel, painting this area will reduce the assembly's performance.

### REQUIRED MATERIALS

- (A) x2 Jamb seal retainers (notched at TOP end)
- (B) x1 Head retainer (D)
- (C) x2 Jamb seal caps ("L" profile) (A)
- (D) x1 Head seal cap ("L" profile) (A)
- (E) x3 RF/Acoustic neoprene seal
- 5/16" hex head screws, self-drilling self-tapping (retainers)
- #10 3/4" Tek Screws (caps)

### MOUNTING INSTRUCTIONS

- Locate the head retainer and line up the factory holes on the frame to the retainer. Mount the retainer in place using the provided 5/16" hex head screws and rectangular washers. The factory holes are intended to be used as a guide, but not required to line up with each self-drilling self-tapping screw.
- Measure the jamb height from the bottom of the frame head to the top of the threshold. **Measure height on the strike side and the hinge side as these measurements may be slightly different. (Measure to a 1/16th of an inch for a precise fit).**
- Locate the jamb retainers and cut the BOTTOM ends to fit the frame measurements. **Do not cut the top notched end.** Test fit the jamb seal retainers and adjust accordingly.
- Mount the jamb seal retainers in place using the provided 5/16" hex head screws sheet metal screws and rectangular washers. Ensure the transition between the RNC1 jamb seal and the header seal is smooth and without breaks in the metalized RF fabric.
- Mount the jamb seal and header seal caps in place using the provided #10 x 3/4" tek screws.
- Do not add non-factory adhesive to the RNC1 seals, this will result in degraded RF performance.

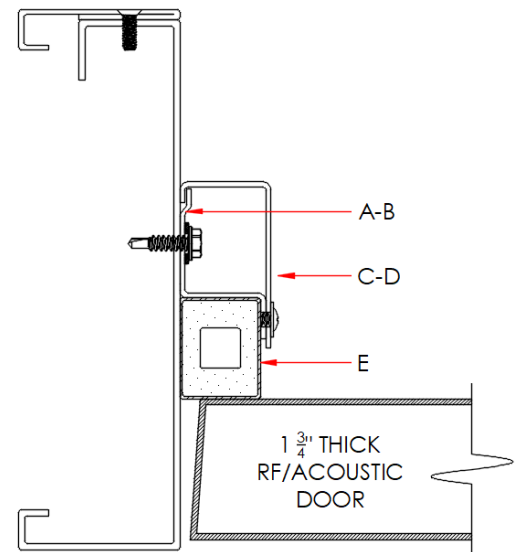


FIGURE A

Note that certain partition types require the steel of the RNC1 retainers (A) to be located over a flat-head fastener dimple in the frame. In these installation scenarios, RF tape is to be applied around the perimeter of the frame where the perimeter retainer occurs after the anchors have been installed, but before the RNC1 retainers are installed. Please contact the factory for assistance if clarification is required.

## INSTALLATION GUIDE IG# 307



# INSTRUCTIONS FOR MOUNTING AND ADJUSTING RF / ACOUSTIC PERIMETER SEAL (1 3/4" DOOR PANEL, RNC1 SINGLE-SEAL)

### ADJUSTMENT INSTRUCTIONS

- Begin by removing all caps (F) from retainers (H) beginning with the header. Close and latch the door.
- Loosen the retainer screws (G) from the slotted holes (L). Slide the loose seal forward until the surface of the seal makes contact with the door. Work your way around the door pressing the seal against the door while tightening each screw. Be sure to check that the seal is not pressed too tightly against the door as this may cause latching issues.
- Check the gap between the door and the seal with the plastic card provided (K). If there is a gap in a section of the seal then loosen the screw closest to adjust it. With a screwdriver (J) you can tap the section of the jamb seal retainer with a hammer where it does not make contact. Then retighten the screw.
- When the seals are properly adjusted, the provided card (K) should slip between the door and seal with the door latched. The card should fit snugly, but not so tight that it will bend. At any point of the seal the card should stay in place under its own weight.
- Check the door seal by firmly closing the door several times and rechecking for positive contact around perimeter of the door. After final adjustment tighten all of the #10 sheet metal screws provided between the slotted hole to lock the retainer in place. Finally, check for any light leaks between the frame and retainer.
- **NEVER MOUNT ANY HARDWARE DIRECTLY ON THE RNC1 SEAL COVERS!**

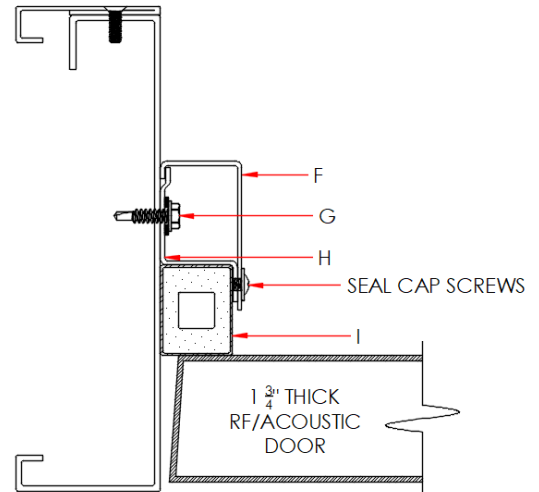


FIGURE B

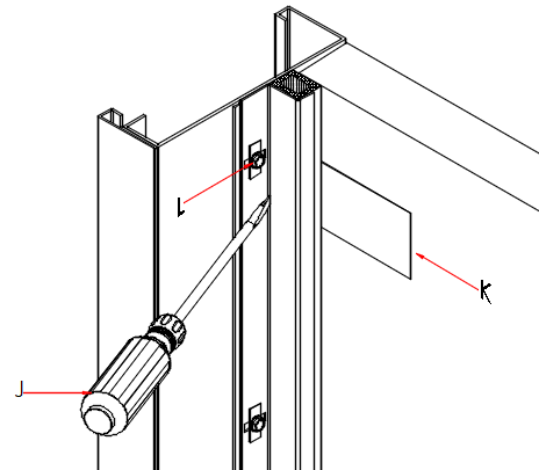


FIGURE C