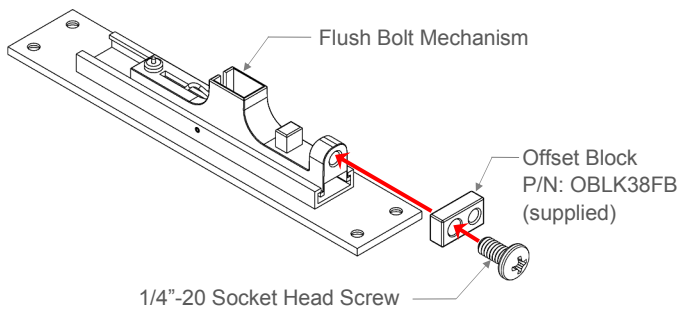


# MANUAL FLUSH BOLT FOR USE WITH DB-3 DOOR BOTTOM

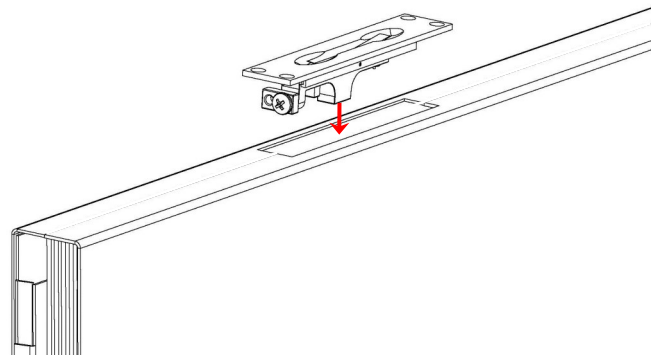
## STEP 1

Attach Offset Block to Flush Bolt Mechanism with 1/4"-20 screw



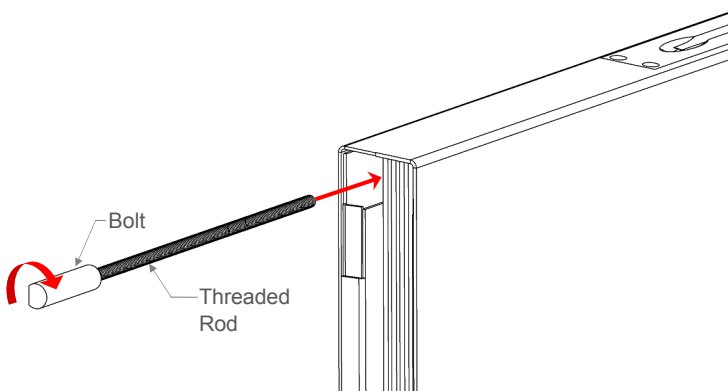
## STEP 2

Insert Flush Bolt Mechanism into opening on door edge



## STEP 3

Screw Bolt and Threaded Rod into Flush Bolt Mechanism through opening in bottom of door until the required amount protrudes



## STEP 4

Attach the Guide Bracket over the Bolt and secure

