



### What to Know Before Getting Started

- Removeable mullions must be removed prior to installation.
- The Krieger removable mullion height is designed to work with our stainless steel threshold.
- Reference **Installation Guide 300** for instructions on installing the radio frequency (RF) frame with grounding flange:



**Download guide**

[https://www.kriegerproducts.com/support/manuals/IG\\_300.pdf](https://www.kriegerproducts.com/support/manuals/IG_300.pdf)



### We're Here to Help

At Krieger, we understand every project is unique. If after reviewing this guide, you have any questions or concerns about installing, adjusting, or maintaining your Krieger product, our engineering department is here to help.

Please call us directly at **562-695-0645** or reach out to your regional sales representative.

Visit [kriegerproducts.com/contact/](https://www.kriegerproducts.com/contact/) for more information.



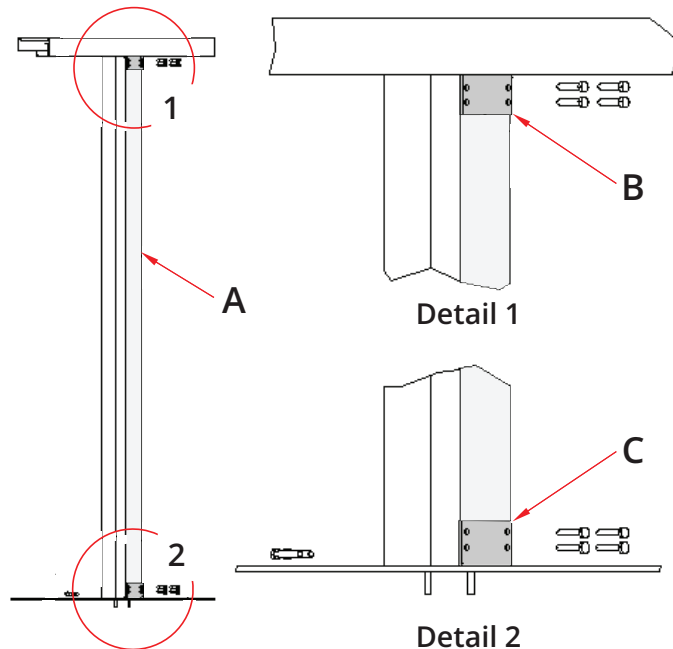
### Made in the USA

All Krieger products are proudly designed and manufactured in the United States.

## Installation Instructions

### STEP 1

- Remove any installed seals from the frame; these are there for shipping purposes only.
- Next, uninstall the mullion (A) from the upper and lower shoe (B and C) by removing the bolts on the front and back of each.

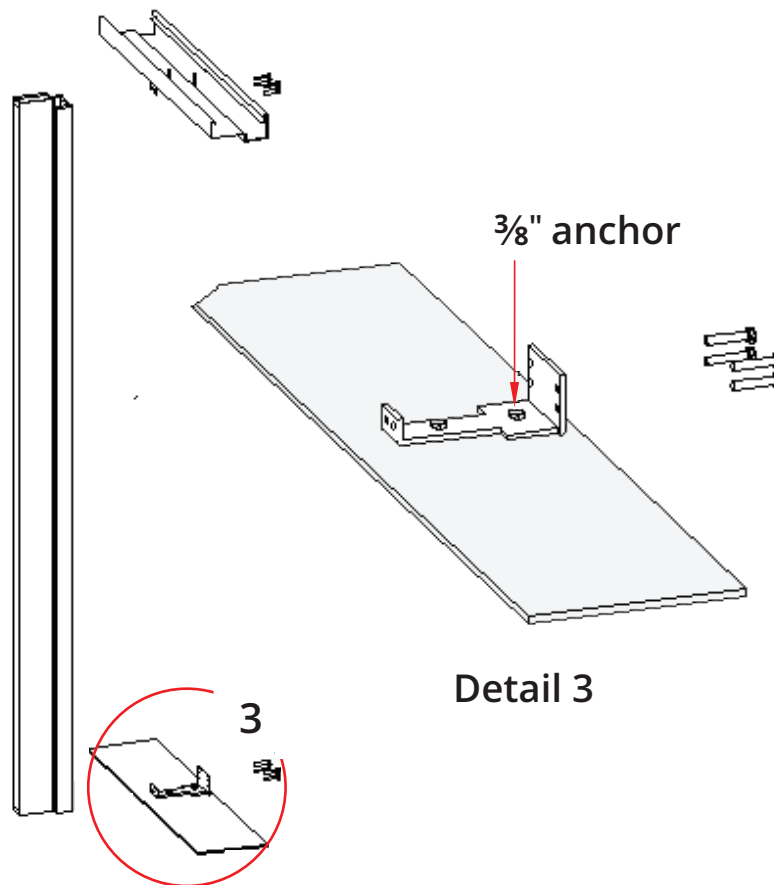


### STEP 2

- Install the frame according to the instructions in Installation Guide 300 referenced at the beginning of this guide.

### STEP 3

- Select the appropriate floor anchor for your floor type.
- For a concrete floor, we recommend a concrete stud anchor.
- Place the threshold into position and drill into the concrete floor with the appropriate size hole for your  $\frac{3}{8}$ " anchor type.
- Install the two anchors and the threshold into position.



End Instructions