



What to Know Before Getting Started

1. NOTE: This installation guide focuses primarily on the installation of EMI glass. For information on how to install standard, laminate glass, please refer to **Installation Guide 210**.

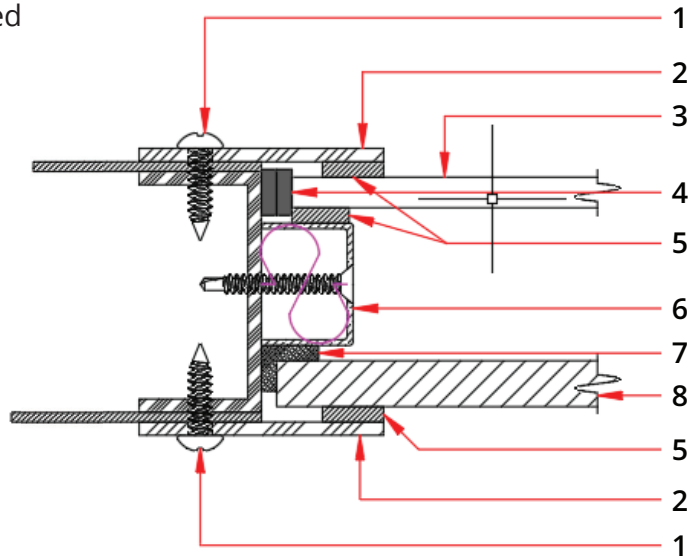


Download guide

https://www.kriegerproducts.com/support/manuals/IG_210.pdf

2. Materials Legend:

1. #8 PHSMS screws placed at approximately 8" OC
2. 12-gauge x 2" stainless steel (SS) moulding
3. Laminate glass
4. Glazing blocks
5. 1/8" thick glazing tape
6. 18-gauge perforated metal stop with sound retardant filler
7. Krieger electrosonic neoprene seal
8. EMI glass



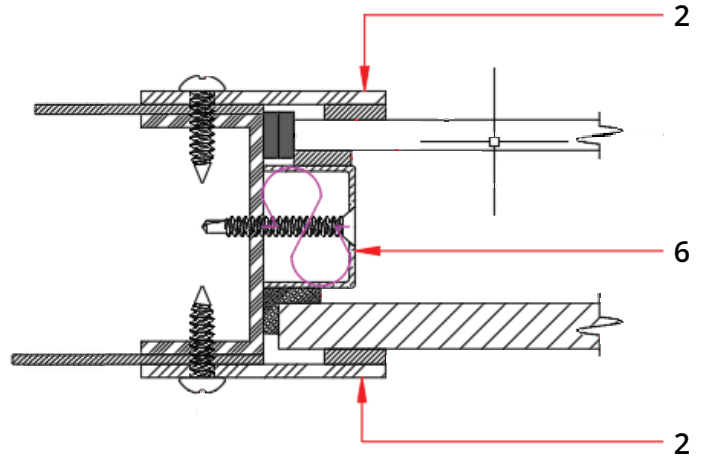
We're Here to Help

If after reviewing this guide, you have any questions or concerns, please call us at **562-695-0645** or visit **kriegerproducts.com/contact/** for more information.

Installation Instructions

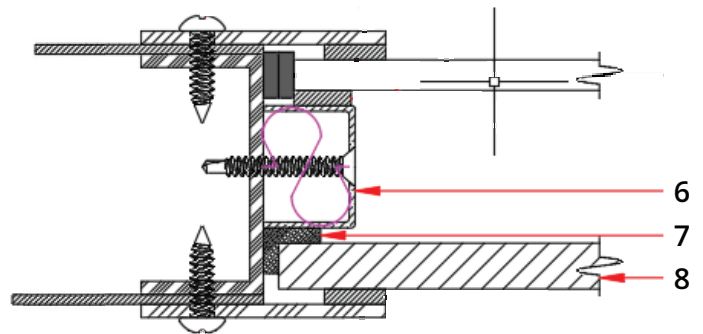
STEP 1

- Remove both pre-installed SS mouldings (2) from the door leaving only the perforated stop (6) in the middle of the vision lite opening.



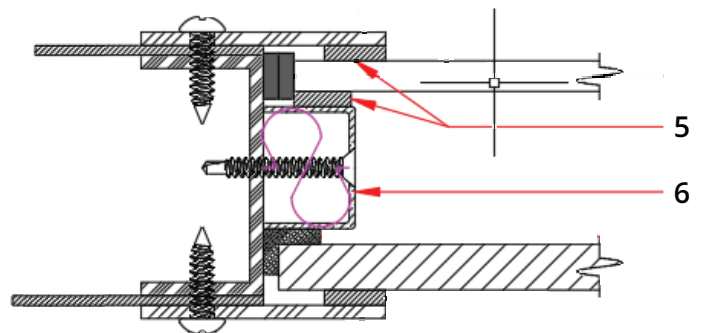
STEP 2

- Apply the Krieger electrosonic neoprene seal (7) along the entire interior perimeter of the perforated stop (6) on the side of the opening containing the EMI glass (8).



STEP 3

- Install glazing tape (5) on the inside of the removable stops/vision lite frame as well as on perforated material (6). The tape should be installed on the full height of the stop and should line up with the edge. The tape should continuously make contact with the entire perimeter of the glass pane in order to make a complete seal.



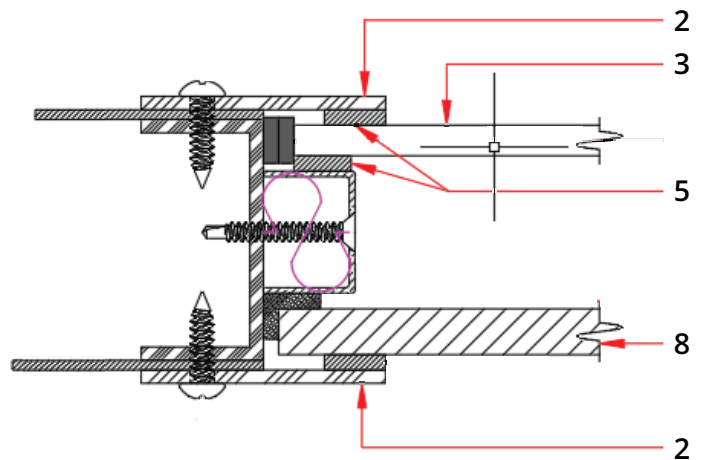
Rev. 010524

STEP 4

- Thoroughly clean glass prior to installation. Follow manufacturer's instructions for cleaning polycarbonate and whitewater glass as certain cleaners may damage the glass.
- UL marking list must remain visible on the exterior side.

STEP 5

- Line the perimeter interior channel where the edge glass will rest against the door with two layers of $\frac{1}{8}$ " glazing tape (5) on the laminated glass side (3).
- Install the EMI glass (8) and the laminate glass on the appropriate side and reinstall both 12-gauge x 2" SS mouldings (2).



End Instructions