



What to Know Before Getting Started

1. WARNING: DO NOT Paint Radio Frequency (RF) Seals

- The polished stainless steel door edges, seal retainers, and wire mesh seals must remain free of paint.
- All paint applied to the door panels and frames should be completely dry **before** adjusting RF seals.
- Please be sure to use low-VOC solvent or water-based paint to reduce paint outgassing from breaking down the gasket seal.

2. Review **Installation Guide 110** for instructions for mounting and adjusting compression seals.



Download guide

https://www.kriegerproducts.com/support/manuals/IG_110.pdf

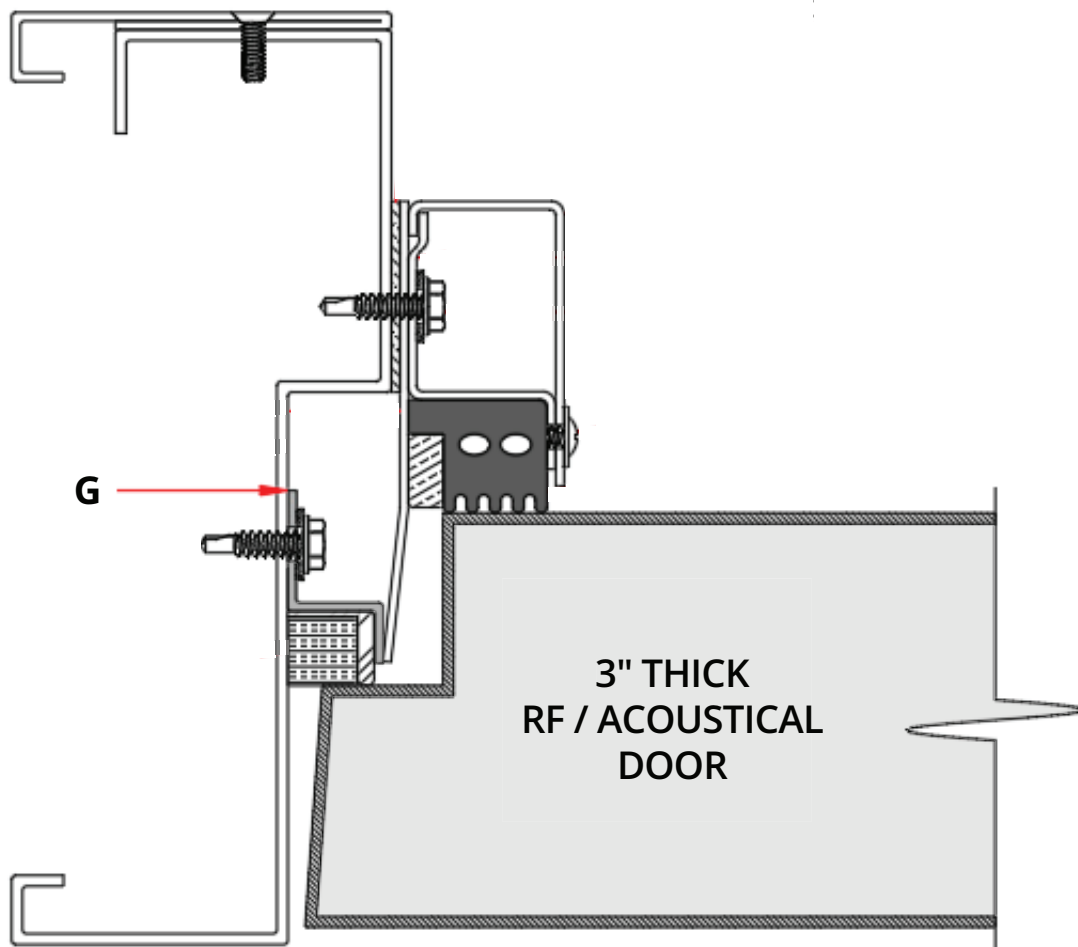


We're Here to Help

At Krieger, we understand every project is unique. If after reviewing this guide, you have any questions or concerns about installing, adjusting, or maintaining your Krieger product, our engineering department is here to help.

Please call us at **562-695-0645** or reach out to your regional sales representative. Visit [kriegerproducts.com/contact/](https://www.kriegerproducts.com/contact/) for more information.

NOTE: Certain partition types require the RF retainers (G) to be removed to install the frame anchors. In these installation scenarios, RF tape is to be applied around the perimeter of the frame where the retainer occurs after the anchors have been installed, but before the RF wire mesh retainers are re-installed. Please contact the factory for assistance if clarification is required.

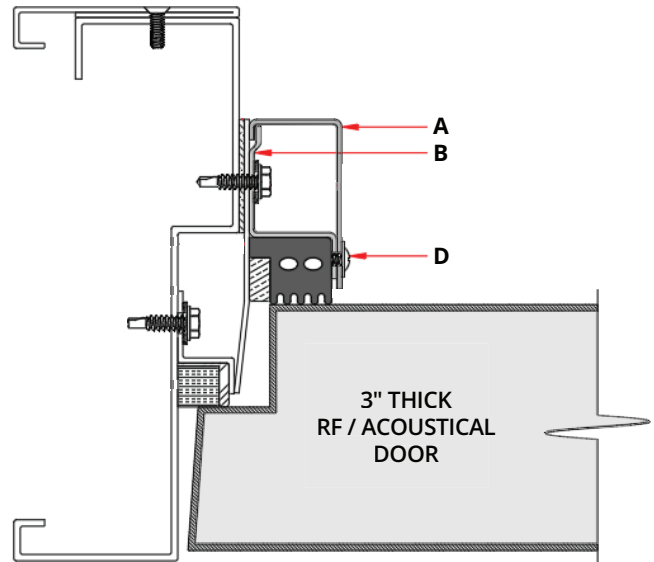


Adjustment Instructions

The 3" RF and acoustical door assemblies are shipped with the seals installed, but they will need to be adjusted in order to function properly. To adjust the seals follow these steps:

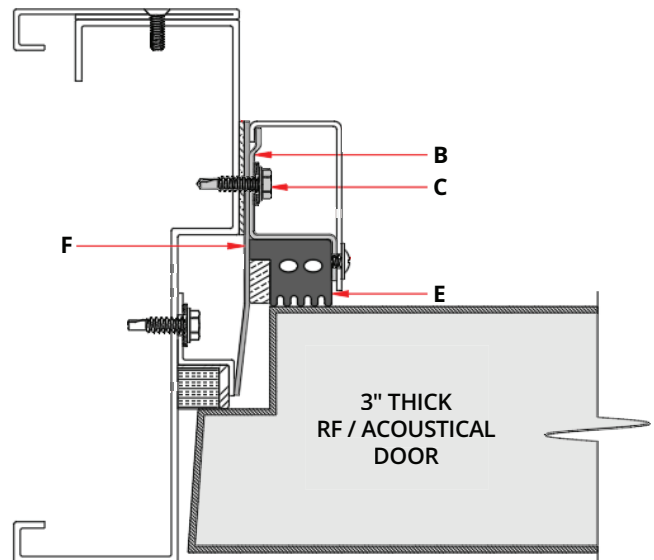
STEP 1

Start by removing all caps (A) from NC-3 retainers (B) beginning with the header by removing the retainer cap screw (D).



STEP 2

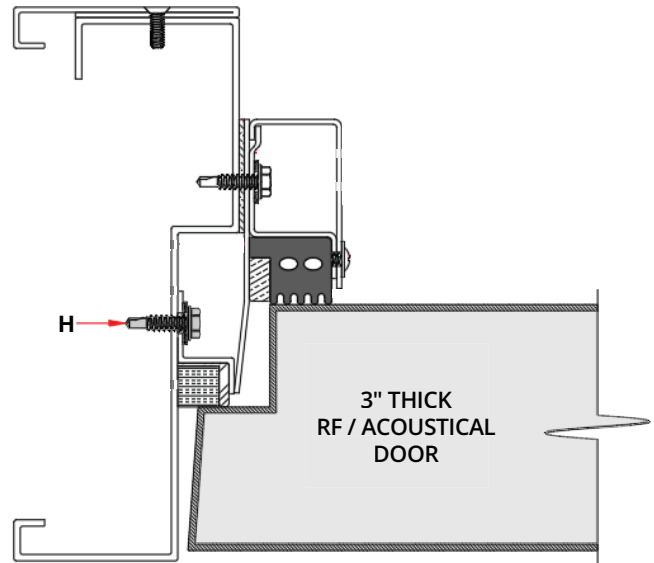
Remove the retainer screws (C) at the slotted holes and remove the NC-3 retainer (B), NC-3 acoustical seal (E), and RF cover plage (F).



Rev. 010524

STEP 3

Loosen the inner retainer screws (H) enough to adjust the seal assembly back and forth; **DO NOT remove the seal.** (See note in Step 5.)



STEP 4

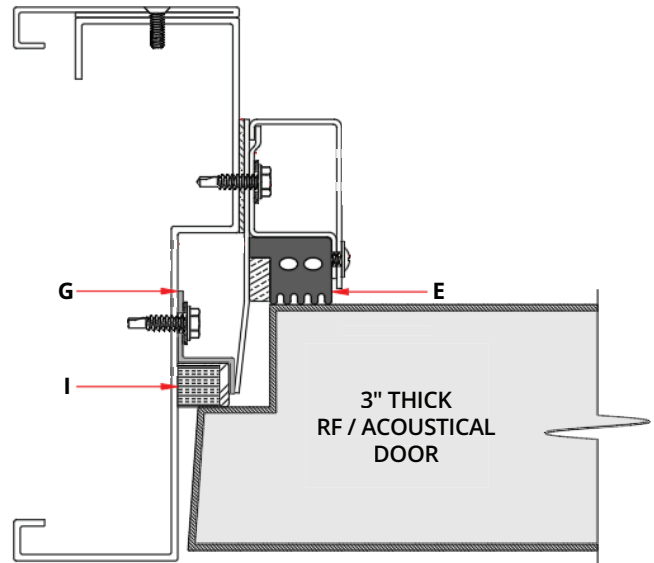
Close the door, making sure that the lock is in the latched position and there is no play in the door.

STEP 5

Slide the RF retainer (G) towards the door so the RF seal (I) makes positive contact with the bare stainless steel surface of the door around the entire perimeter.

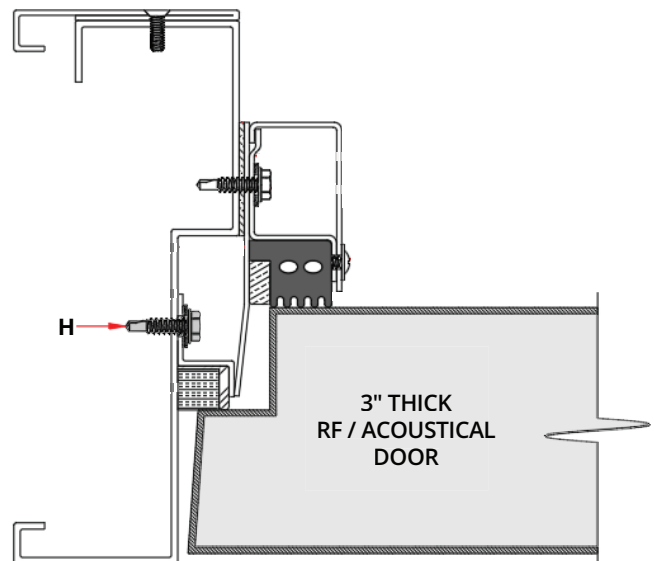
DO NOT cut the monel seal; wire mesh can be stretched and re-counteracted if required.

DO NOT add non-factory adhesive to the RF wire mesh seals; this will result in degraded RF performance. Adhesive can be added to the NC-3 acoustical seals (E) without degrading STC performance.



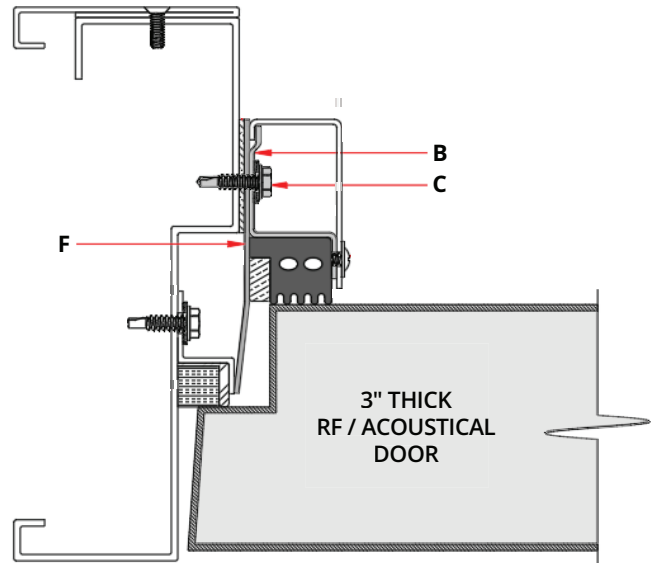
STEP 6

Tighten the screws (H) and open and close the door several times to ensure proper sealing (if the seals are adjusted too tightly this can cause problems with the operation of the installed hardware and cause the door to bind).



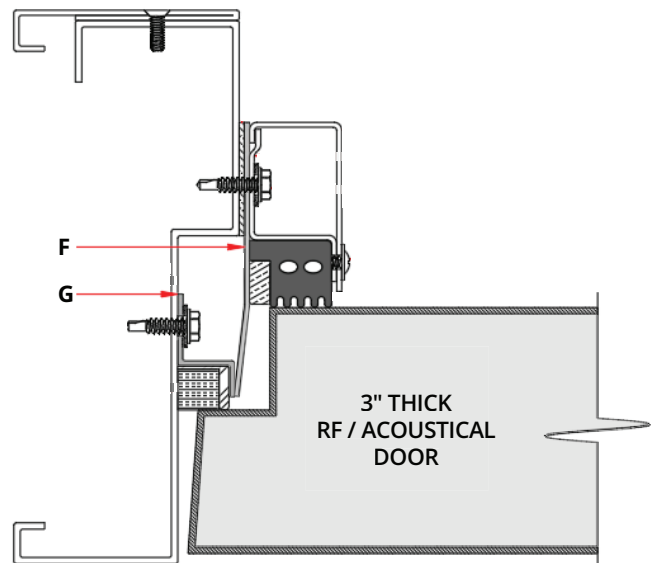
STEP 7

Place the RF cover plate (F) and NC-3 retainer (B) on the frame and secure with the retainer screws (C).



STEP 8

Make sure the RF cover plate (F) is in full contact with and covers the RF retainer (G) around the jambs and head.



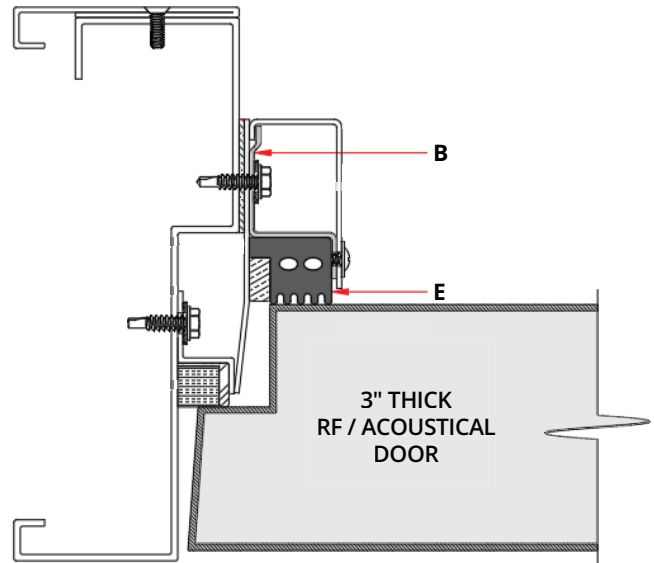
STEP 9

Insert the NC-3 acoustical seal (E) into the NC-3 retainer (B) per instructions in **Installation Guide 110**.



Download guide

https://www.kriegerproducts.com/support/manuals/IG_110.pdf

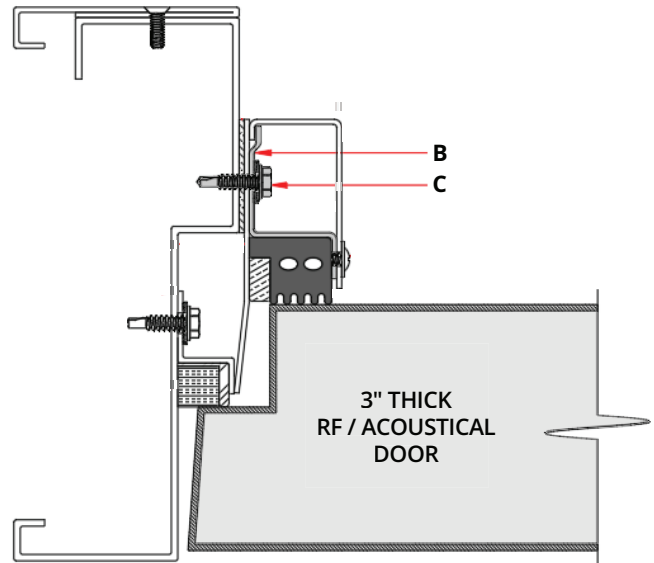


STEP 10

Close the door, making sure that the lock is in the latched position and there is no play in the door.

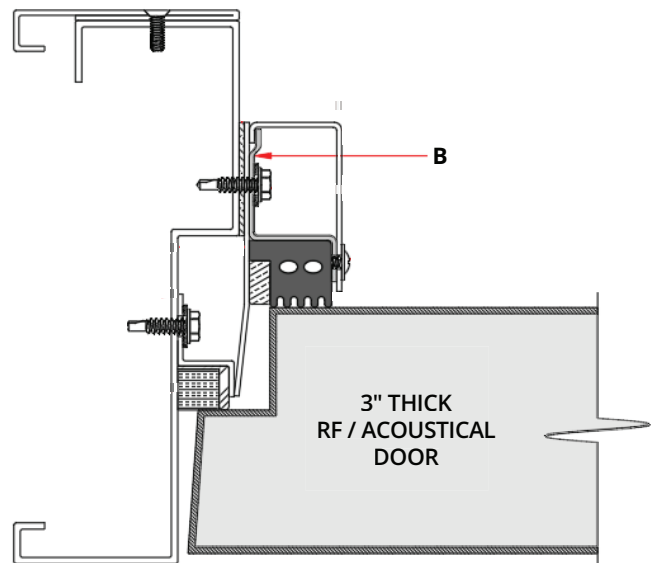
STEP 11

Slide the NC-3 retainer (B) towards the door so it makes full contact with the door around the entire perimeter and tighten the retainer screws (C).



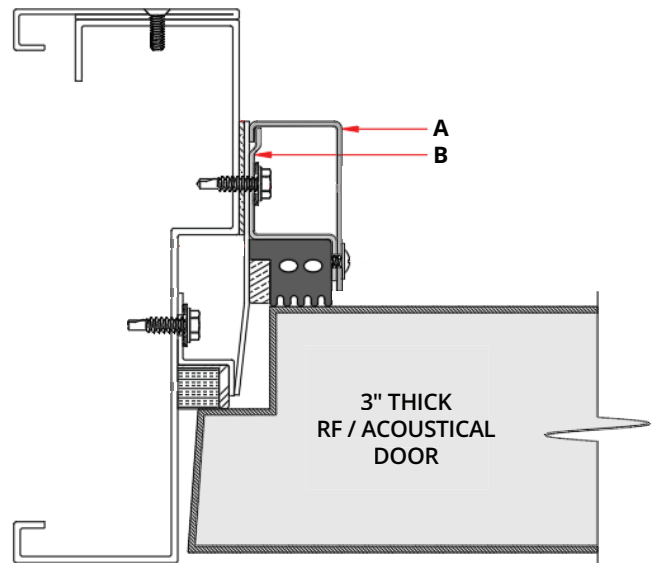
STEP 12

Check the adjustment of the NC-3 retainer (B) with the provided adjustment card.



STEP 13

Place the NC-3 cap (A) on the NC-3 retainer (B) and secure with the provided screws.



STEP 14

For proper RF performance, it is critical that the metalized fabric L-gasket makes contact with the push-side stainless steel door skin consistently, uniformly, and unbroken throughout the entire perimeter of the opening.

End Instructions

