



What to Know Before Getting Started

DO NOT place wedges, electrical cords, or other objects under the door bottom. This will damage or tear the neoprene.



We're Here to Help

At Krieger, we understand every project is unique. If after reviewing this guide, you have any questions or concerns about installing, adjusting, or maintaining your Krieger product, our engineering department is here to help.

Please call us directly at **562-695-0645** or reach out to your regional sales representative.

Visit [kriegerproducts.com/contact/](https://www.kriegerproducts.com/contact/) for more information.



Made in the USA

All Krieger products are proudly designed and manufactured in the United States.

Dual Cam Lift Door Bottom Seal

STEP 1

- The door bottom assembly (shown in Figure A and Figure B) is shipped installed on the door.
- With the door in the closed position loosen the door bottom screws (C).
- Lower the door bottom until the neoprene seal (B1 and B2) makes full contact with the entire width of the threshold.
- Firmly tighten the attachment screws.

Figure A

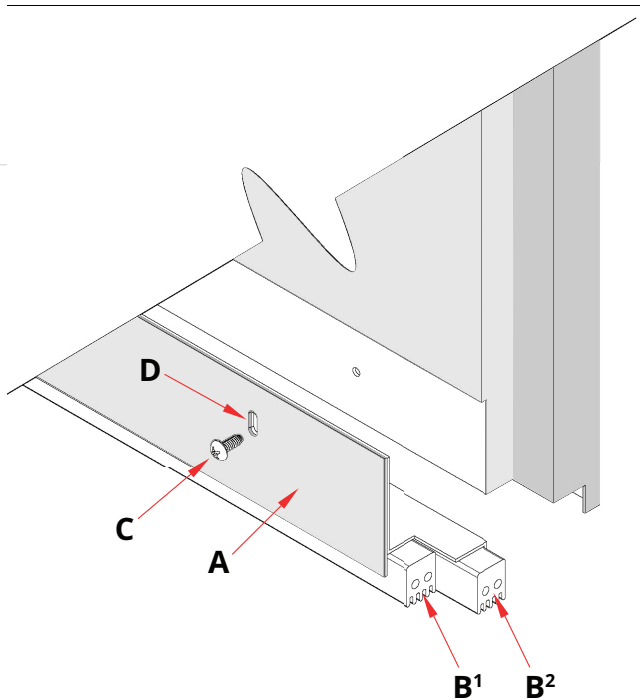
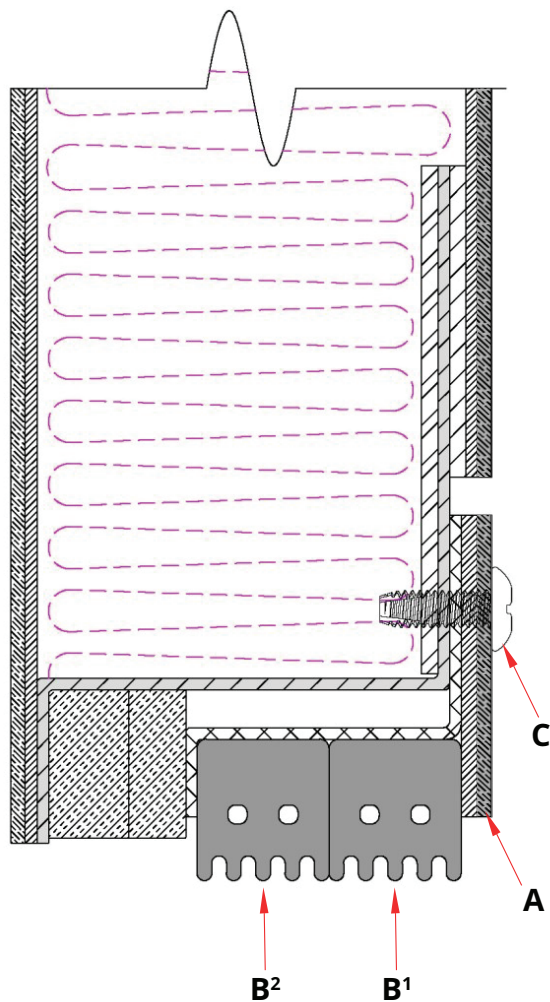


Figure B (Cross-Section)



Rev. 010524

STEP 2

- Open and close the door several times and check the adjustment with the thin plastic card provided.
 - When the seals are properly adjusted, the card should slip between the sill and the seal.
 - The card should fit snugly, but not so tight that the card is difficult to remove or bend upon insertion.
 - The seals should extend approximately $\frac{1}{8}$ " (+/-) beyond the door on each side. The neoprene is a double seal and should be cut accurately at each end to fit snugly against the frame and the jamb seal.
-

STEP 3

- Keep the area around the doors clean once installed and/or adjusted as sand, plaster, or other construction debris will damage the neoprene seal.
-

STEP 4

- Once the door bottom seal has been adjusted, apply acoustical sealant in the slotted adjustment holes (D, shown in Figure A on the previous page).

End Instructions