



What to Know Before Getting Started

1. WARNING REGARDING PAINT AND VINYL SEALS

- All paint applied to the doors and frames should be completely cured **BEFORE** adjusting sound seals.
- Please be sure to use low-VOC solvent or water-based paint to reduce paint outgassing from breaking down the gasket seal.

2. NEVER MOUNT ANY HARDWARE ON THE SOUND SEAL COVERS!



We're Here to Help

At Krieger, we understand every project is unique. If after reviewing this guide, you have any questions or concerns about installing, adjusting, or maintaining your Krieger product, our engineering department is here to help.

Please call us directly at **562-695-0645** or reach out to your regional sales representative.

Visit [kriegerproducts.com/contact/](https://www.kriegerproducts.com/contact/) for more information.



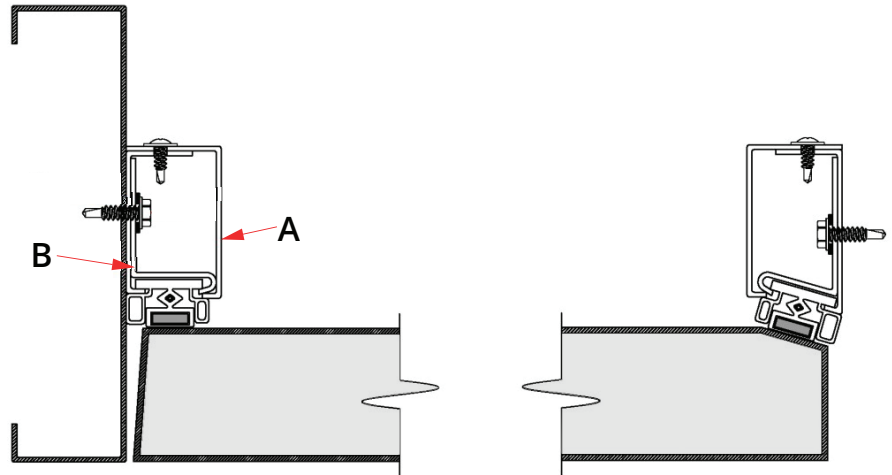
Made in the USA

All Krieger products are proudly designed and manufactured in the United States.

Magnetic Seal Adjustment Instructions

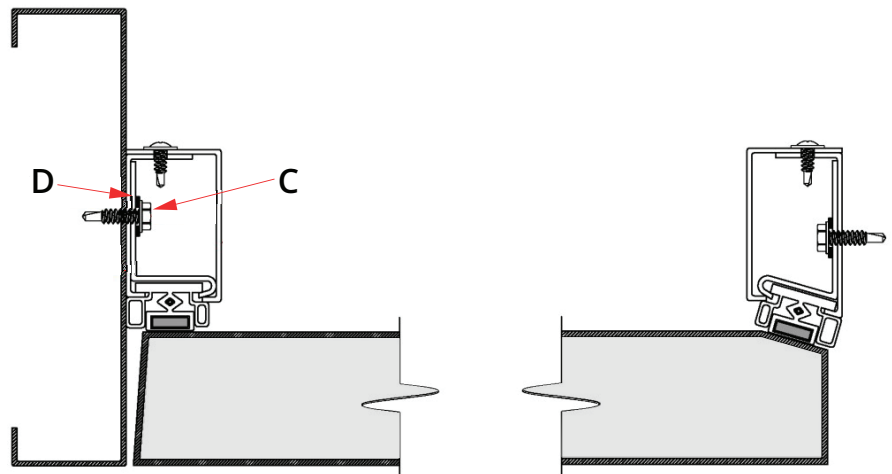
STEP 1

- Begin by removing all caps (A) from retainers (B) beginning with the header.
- Close and latch the door.



STEP 2

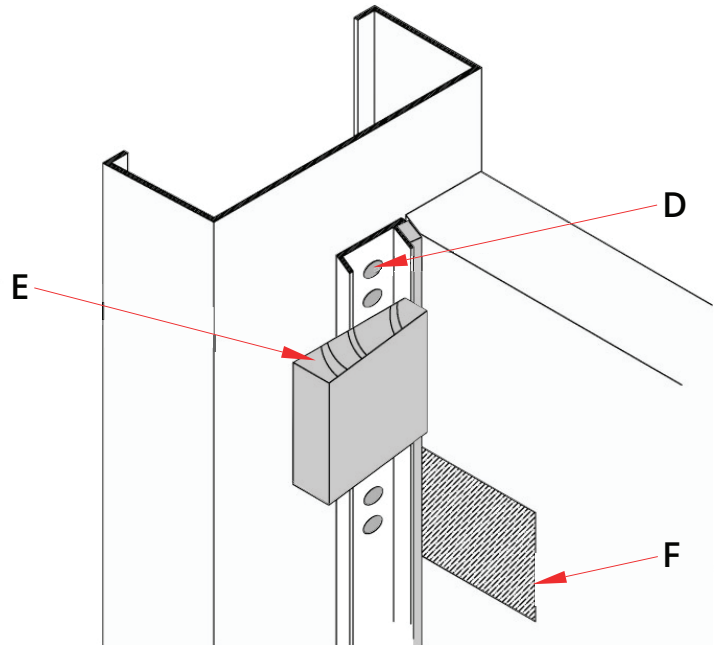
- Loosen the retainer screws (C) from the slotted holes (D) and slide the loose seal forward until the magnetic surface makes contact with the door.
- Work your way around the door pressing the seal against the door while tightening each screw.
- Be sure to check that the seal is not pressed too tightly against the door as this may cause latching issues.



Rev. 010524

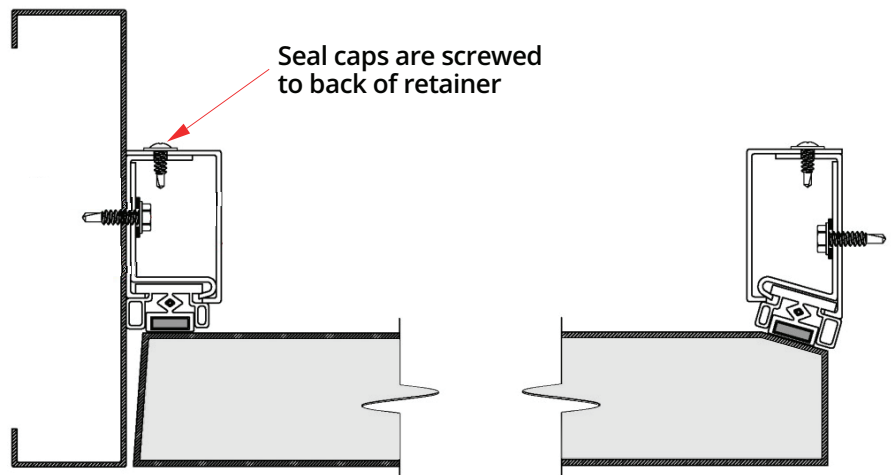
STEP 3

- Check the gap between the door and the seal with the plastic card provided (F). If there is a gap in a section of the seal then loosen the screw closest to adjust it. With a wood block (E) you can tap the section of the seal tight where it does not make contact. Then retighten the screw. The card should fit snug along the entire perimeter of the door.



STEP 4

- Check the door seal by firmly closing the door several times and rechecking for positive contact around perimeter of the door.
- After final adjustment install several #10 sheet metal screws (provided) between the slotted hole to lock the retainer in place.
- Finally, check for any light leaks between the frame and retainer or at the mitered corners. Adjust accordingly.



End Instructions

Rev. 010524