



Radio Frequency 40 Sound 51

Model: RFI-40-STC-51



40 dB Shielding
Radio Frequency



STC 51
Acoustical Rating

ADA
COMPLIANT

FIRE RATED
UP TO 20 MINUTES

1 3/4" THICK
DOOR PANEL

Krieger's custom-engineered hybrid door provides 40 dB radio frequency protection and an STC 51 acoustical rating—all in a typical 1 3/4" thick door panel. Its innovative, adjustable design makes it an ideal choice for installations where RF shielding and sound control are required.

Complete Assembly

This radio frequency (RF) assembly is designed to tie into any type of construction to ensure a true Faraday shield. Available in standard or custom sizes with manual or power-operated controls and other options.

Krieger doors are delivered as complete assemblies guaranteed to perform according to your specifications.

- Door Panel
- Hinges
- Threshold
- Frame
- Seal System
- Glass (if appl.)

Premier Custom Finishes

Select the custom finish to perfectly match and complement your project.



Prime Painted



Wood Veneer



Stainless Steel



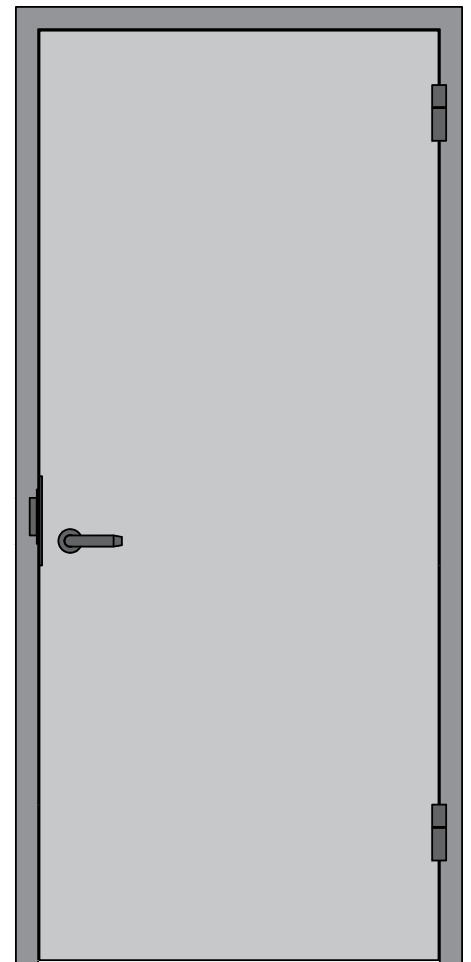
Historic Designs



Moldings & More



All Krieger doors are backed by our 10 Year Manufacturer's Guarantee.



Rev. 041524

Customize Your Assembly

Contact your Krieger sales representative to discuss your project requirements, get a quote, and request full test report data.

Call us at 562-695-0645 or visit KriegerProducts.com to get started.



Radio Frequency 40 Sound 51

Model: RFI-40-STC-51

Features

Tests and Certifications

- Provides 40 dB RF protection in the electric field, planewave, and microwave fields in the frequency range of 1 KHz to 18 GHz.
- STC 51 acoustical rating ensures professional, commercial-quality sound control.
- Certified for use in installations where TEMPEST standards are required.
- **Radio frequency:** IEEE-299-2006 Standard, NSA 65-6, MIL STD-285, and Division 8 Standard
- **Acoustical:** ASTM E90, ASTM E336, ASTM E1408, ASTM E413, ASTM A 1008, JUIAF, JAFAN, DCID 6/9, and ICPM 2006-700-7

Door and Frame Construction

- Innovative slip-in frame design makes it easy to install, saving time on the job site.
- Features standard 1 3/4" thick door panel and can meet all specifications for size, finish, and performance; contact us to customize your assembly.
- Unique seal system includes Krieger's RF/STC perimeter seal for superior durability over finger stock gaskets, and an adjustable door bottom for a tight seal even on uneven floors.
- Complies with ADA requirements with a 1/4" stainless steel threshold that can be used in any location.
- Frame is insulated with 8# density mineral wool, saving installation time.

Door Sizes

- RF and acoustical hybrid doors are available in standard and custom sizes, including oversized doors.

Fire Labels and Positive Pressure

- Smoke Labels: Up to 20 minutes

Hardware

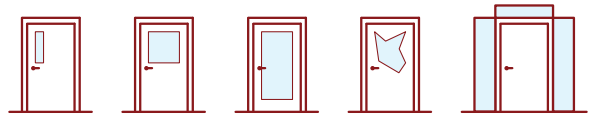
- Krieger's unique Cam Lift Hinge offers enhanced radial strength for longer lasting performance and easy maintenance; available in standard or electrified models.
- Designed to interface with standard builder's hardware, including latches and locksets, panic devices, security hardware, and other options.

Finishes

- Krieger's custom finish options include prime painted, wood veneer, stainless steel, specialty finishes, and more.

Vision Lites • Side Lites • Transoms

Fully customizable vision lites, side lites, and transoms are available. Krieger offers tested and certified glass options, including acoustical glass, fire rated glass, smart glass, clear glass, optical white glass, low-emissivity (low-e) glass, and more.



Door Handing

Krieger doors are available in any door handing configuration your project requires.



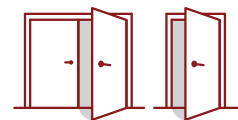
Left Hand
(LH)



Right Hand
(RH)



Left Hand Reverse
(LHR)



Right Hand Reverse
(RHR)

Optional Add-Ons

Specialized Hybrid Performance

Krieger's RF doors can be configured with optional add-on features and different ratings to meet your specific performance needs.

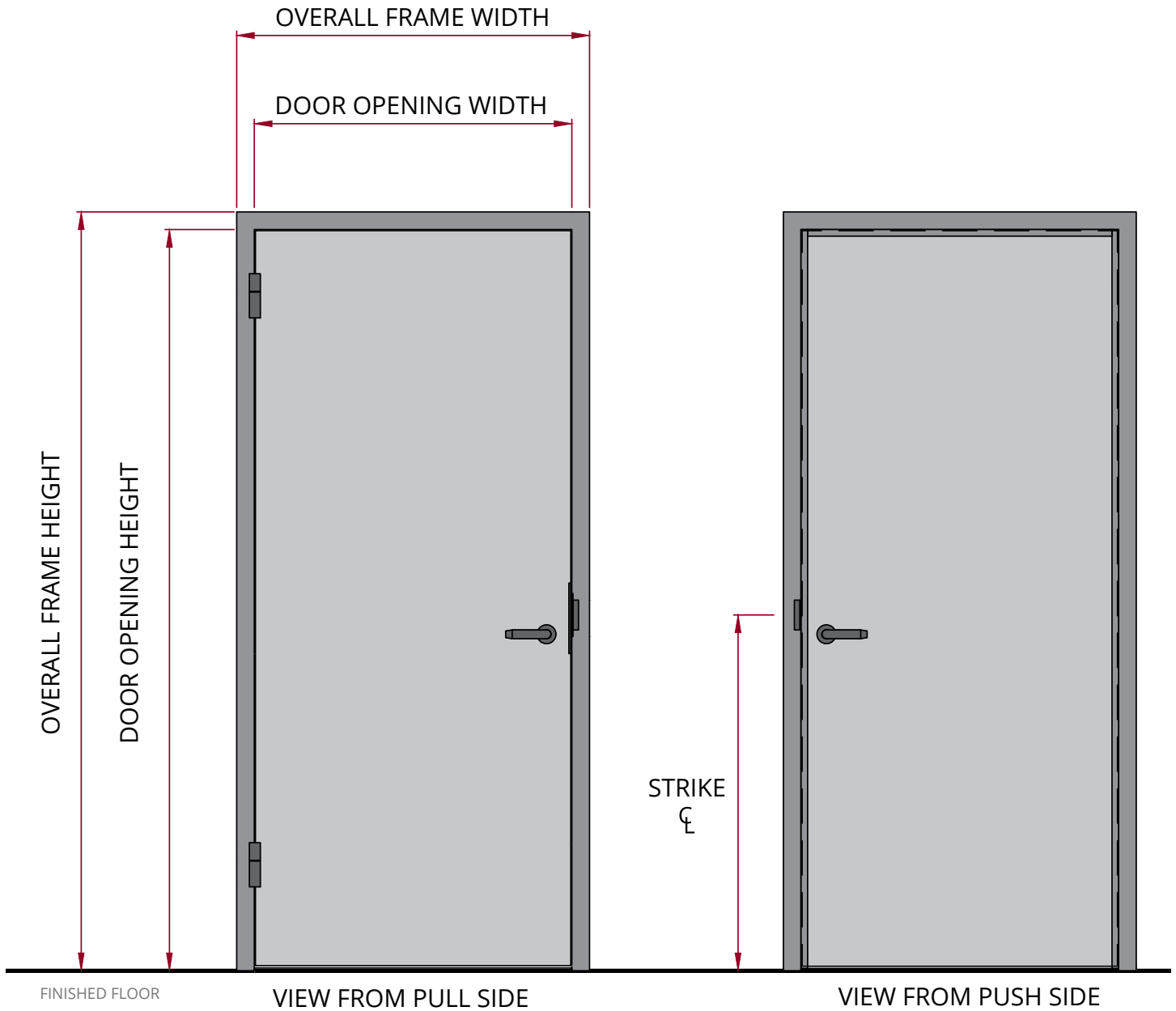
- **Acoustical & SCIF**
Add up to an STC 55 rating and SCIF Sound Groups 3 and 4.
- **Bullet & Forced Entry**
UL 752 Levels 1-10, NIJ, and MIL-SAMIT Part 1 & Part 2.
- **Blast & Pressure**
UFC 4-010-01 and UFC 3-340-02 certifications are available.
- **Tornado & Hurricane**
Can comply with FEMA P-361 or FEMA P-320 criteria.

Rev. 041524

Radio Frequency 40 Sound 51

Model: RFI-40-STC-51

Elevation View

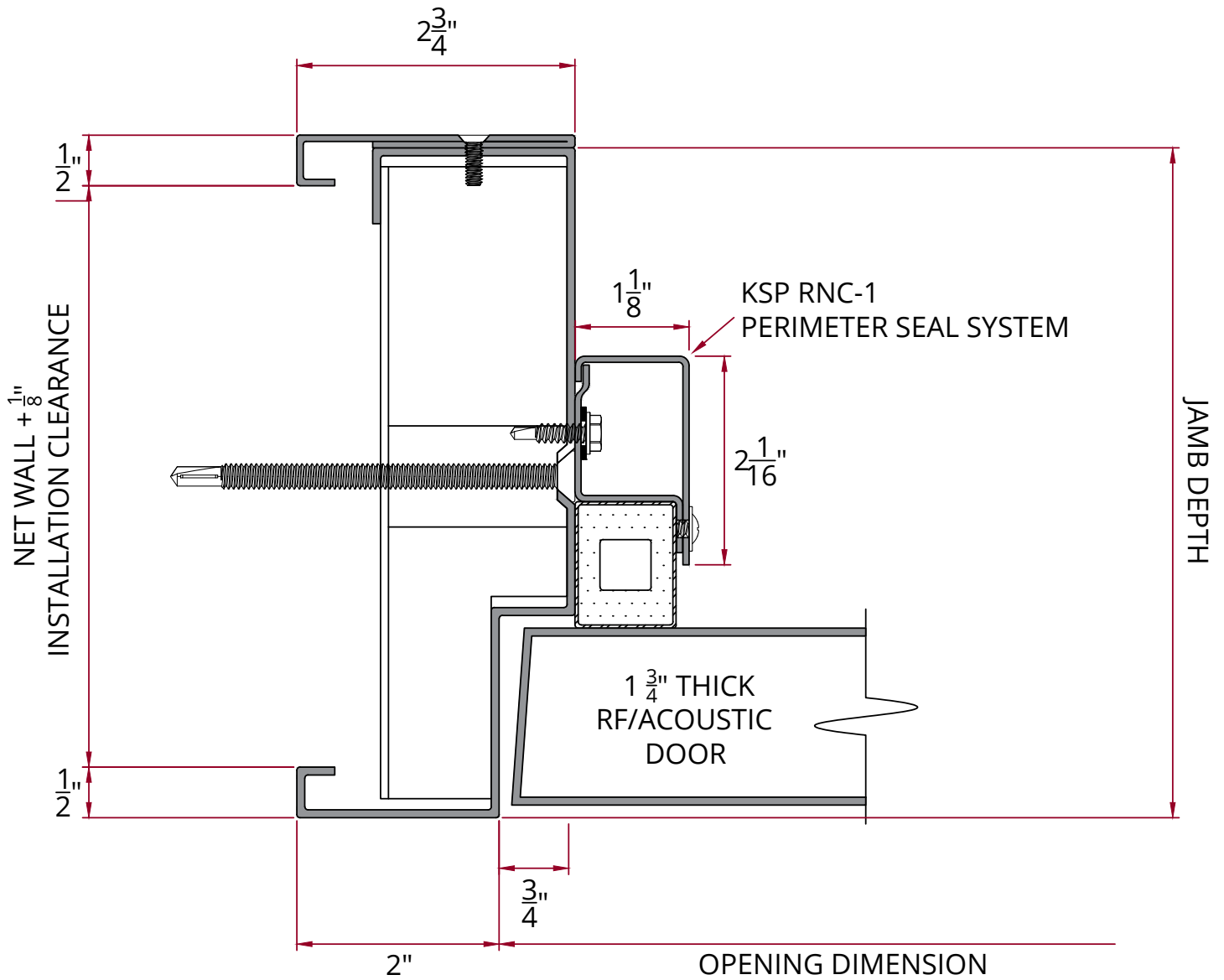


Rev. 041524

Radio Frequency 40 Sound 51

Model: RFI-40-STC-51

Frame Detail

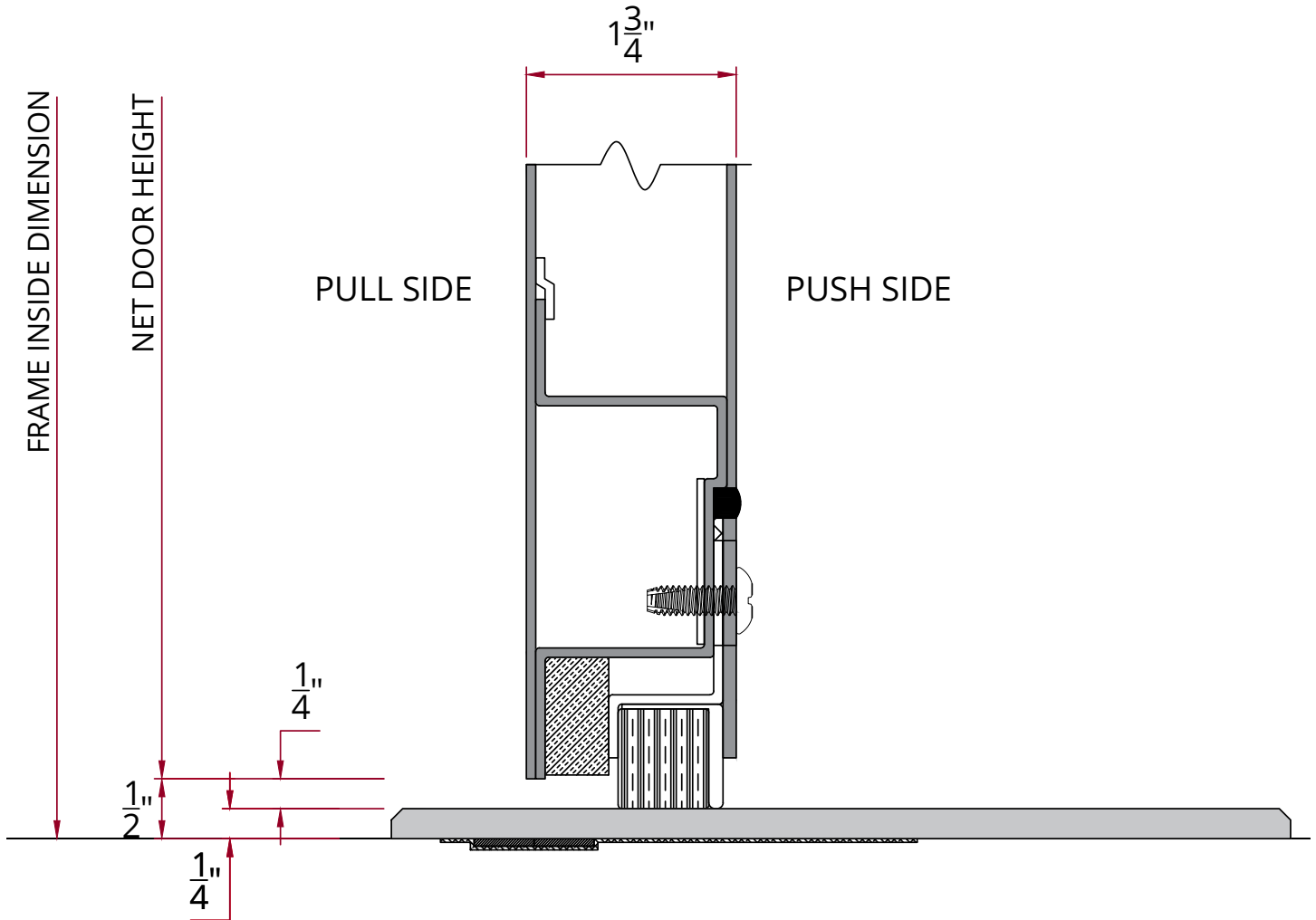


Rev. 041524

Radio Frequency 40 Sound 51

Model: RFI-40-STC-51

Door Bottom



Rev. 041524