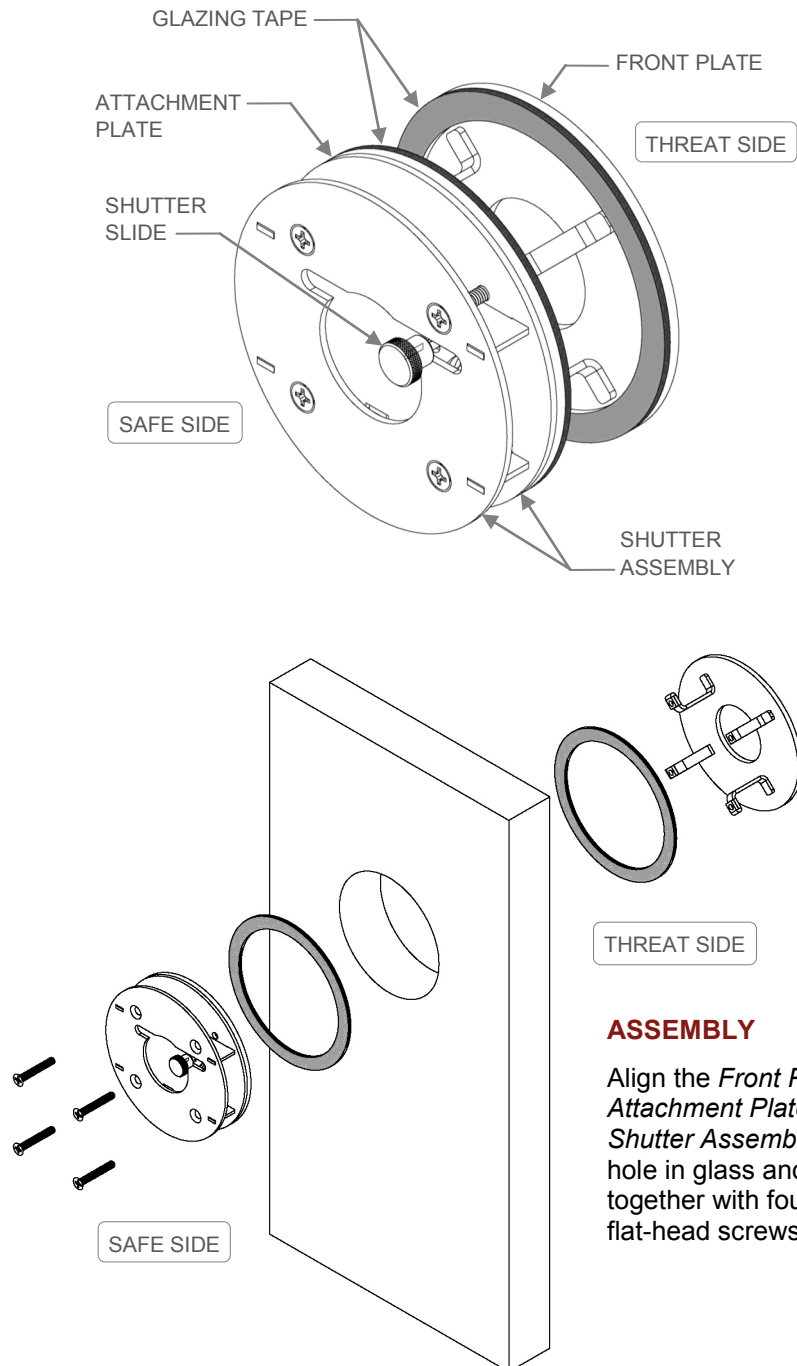


INSTALLATION GUIDE IG# 408

GUN PORT - GPLV8



Installation is illustrated as shown.



ASSEMBLY

Align the *Front Plate*, the *Attachment Plate*, and the *Shutter Assembly* through hole in glass and attach together with four (4) 1/4"-28 flat-head screws (provided)