

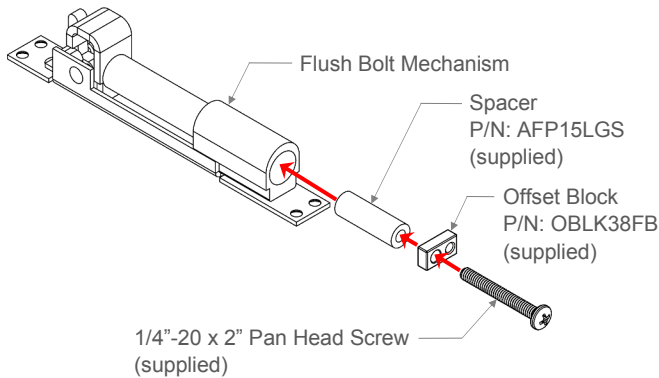
# CONSTANT LATCHING FLUSH BOLT FOR USE WITH CAM LIFT DOOR BOTTOM

## STEP 1

Remove Acoustic Door Bottom from door

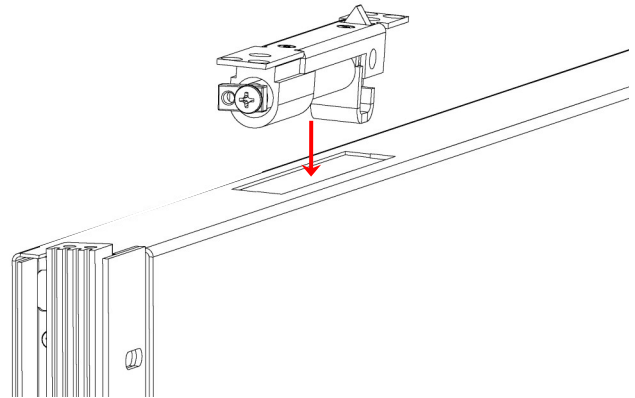
## STEP 2

Attach Offset Block and Spacer to the Flush Bolt Mechanism with 1/4"-20 x 2" screw



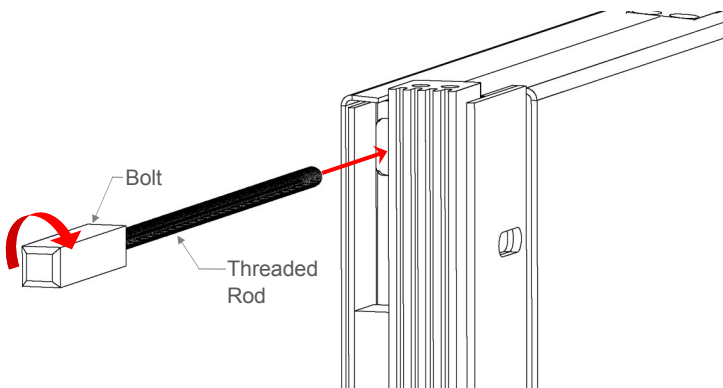
## STEP 3

Insert Flush Bolt Mechanism into opening on door edge



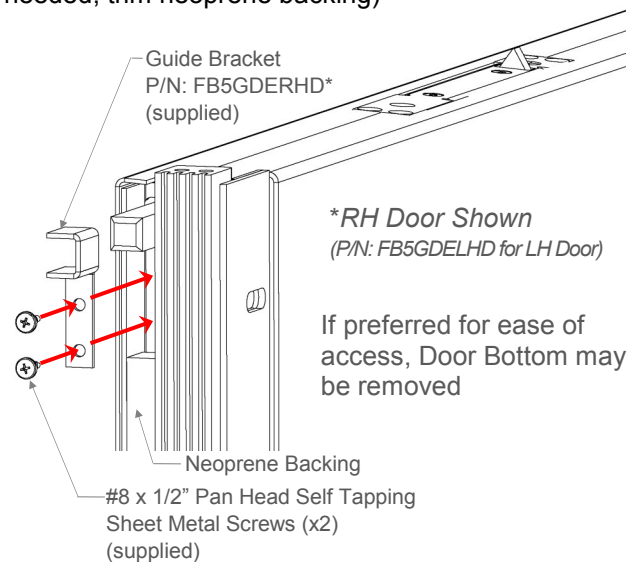
## STEP 4

Screw Bolt and Threaded Rod into Flush Bolt Mechanism through opening in bottom of door until the required amount protrudes



## STEP 5

Attach the Guide Bracket over the Bolt and secure with two #8 x 1/2" pan head screws (if needed, trim neoprene backing)



## STEP 6

Reattach Acoustic Door Bottom to door