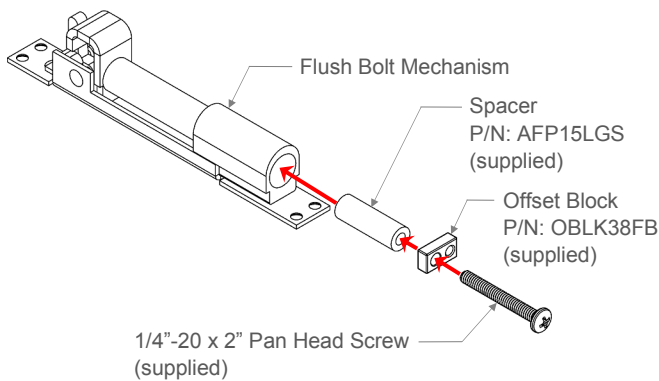


CONSTANT LATCHING FLUSH BOLT FOR USE WITH DB-3 DOOR BOTTOM

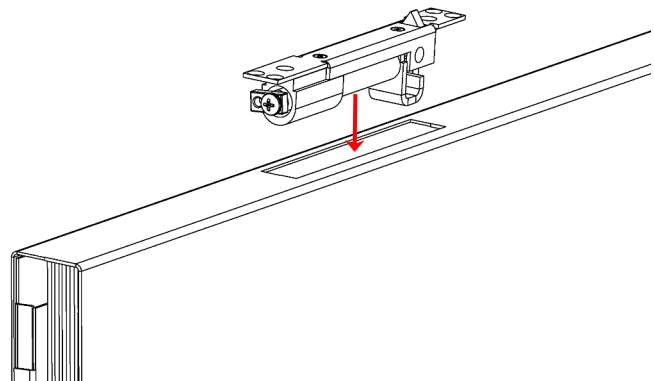
STEP 1

Attach Offset Block and Spacer to the Flush Bolt Mechanism with 1/4"-20 x 2" screw



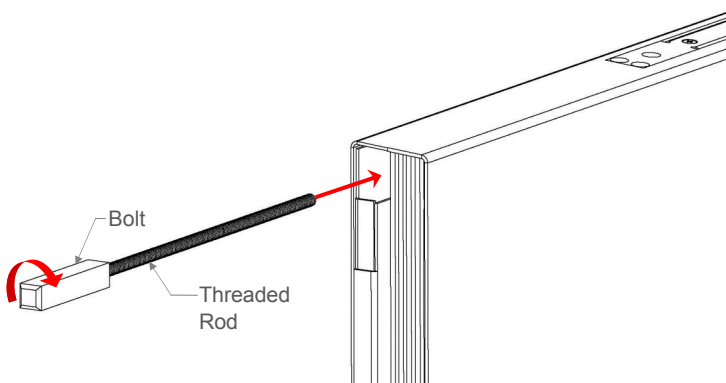
STEP 2

Insert Flush Bolt Mechanism into opening on door edge



STEP 3

Screw Bolt and Threaded Rod into Flush Bolt Mechanism through opening in bottom of door until the required amount protrudes



STEP 4

Attach the Guide Bracket over the Bolt and secure with two #8 x 1/2" pan head screws

