

REMOVABLE MULLION IN ACOUSTICAL FRAMES

INSTALLATION INSTRUCTIONS

- Remove the shipping spreader bar from the bottom of the frame and mullion. This is for shipping purposes only. Next remove the mullion (A) from the upper mullion shoe (D) on the frame header with the two 1/4"-20 x 1/2" F.H.M.S (B). Remove the lower mullion shoe (C) from the mullion.
- Install the frame according to our standards explained in IG# 100.
- Once the frame is installed you can now mark the placement of the lower mullion shoe (C) into the threshold. On the floor or threshold mark the center on the opening between the jambs. If the pair is unequal you will need to measure accordingly.
- With a straight edge resting against the frame faces mark the front of the mullion shoe as shown in Figure 1.
- Mark the two hole locations in the aluminum threshold for the mullion shoe mounting holes. Temporarily remove the threshold to drill two 1/2" holes through the threshold to have clearance for a 3/8" anchor (D). **Note:** select the appropriate floor anchor for your floor type. For a concrete floor we recommend a concrete stud anchor. Place the threshold into position and drill into the concrete floor with the appropriate size hole for your 3/8" anchor type. Install the two anchors and the aluminum threshold into position. Please reference IG # 115 for acoustic threshold installation.
- **Note:** The Krieger removable mullion height is pre designed to work with our Aluminum threshold.

Figure: 1

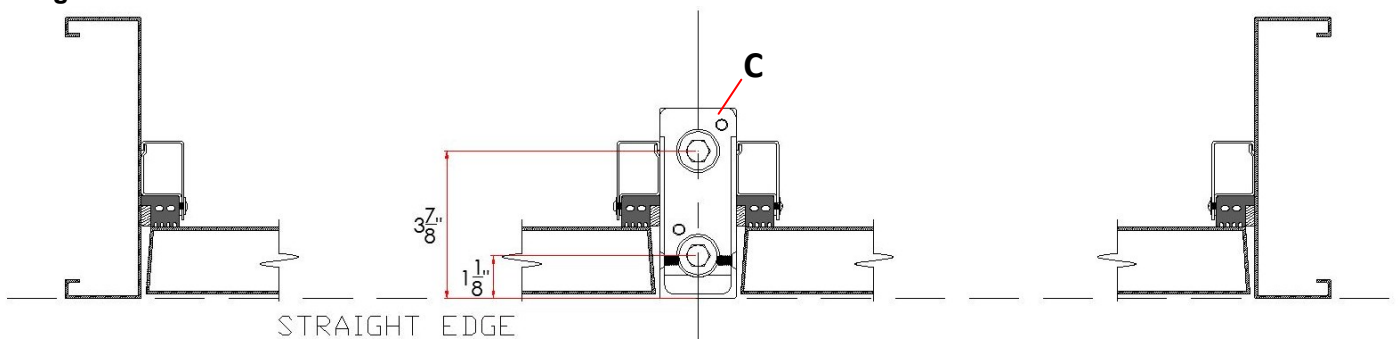


Figure: 2.1

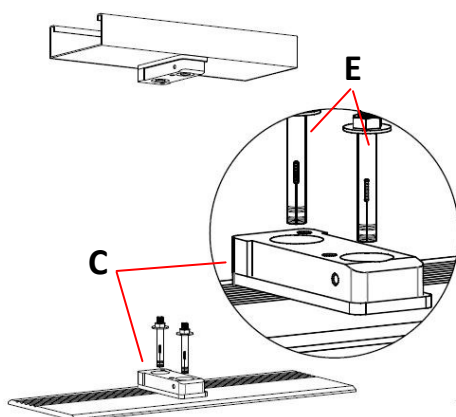


Figure: 2.2

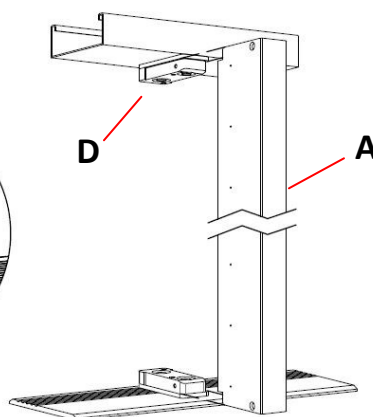


Figure: 2.3

