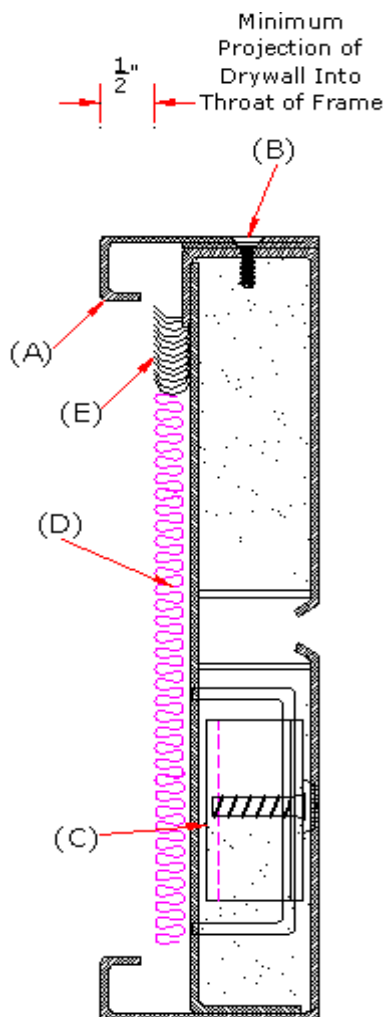


ACOUSTIC SLIP IN FRAME FOR EXISTING STUD WALL

Please note that this is a general reference guide and each installation is unique. Please contact Krieger with any installation specific questions for assistance. It is critical that the surrounding framing be of sufficient gauge and without punches for proper installation of this type of frame.

Acoustic frames must be filled with sound deadening material (reference Installation Guide # 160).



First remove the frame trim (A) by removing the screws (B) and set aside. Next remove the shipping spreader bar from the bottom of the frame. This is for shipping purposes only. Slide the frame into the rough opening and set the frame square, plumb and level.

Compression anchors (C) are located near the bottom of the frame on each side and are placed to fully contact the adjacent studs; Phillips head adjustment screws are visible through a 1/4" hole in the frame. The screws should be tightened until the pressure anchors contact the adjacent framing. Anchor frame securely by installing anchor bolts (provided by others) and shim as necessary.

Upon completion of frame installation, fill the Installation clearance void between the back of the frame and wall framing with batt insulation (D). Insulation should be recessed 1/2" from face of drywall. Fill remaining void completely with acoustic caulking around entire perimeter of frame (both jambs and head) (E). Remove the spreader from the trim piece set aside earlier. Reinstall the trim piece with the provided screws (B). Caulk entire perimeter of frame with acoustic caulking on both sides where the frame returns contact the drywall.

Note: In order to prevent damage or misplacement, seals are shipped separately with the door (s), unless otherwise specified.