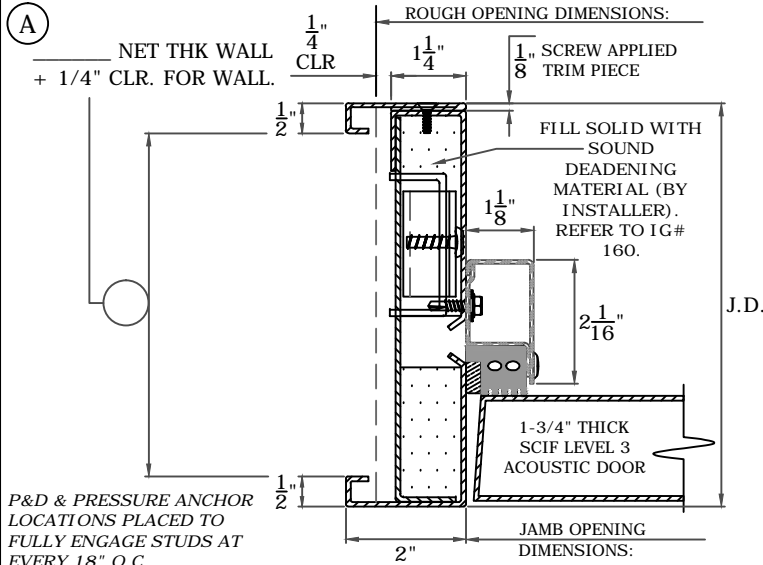
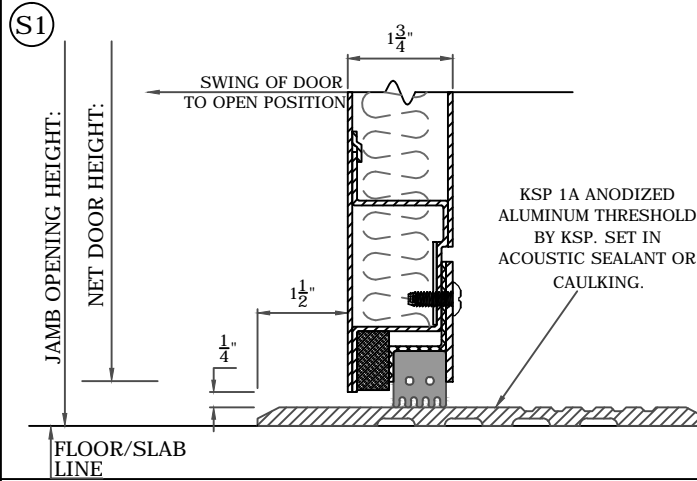
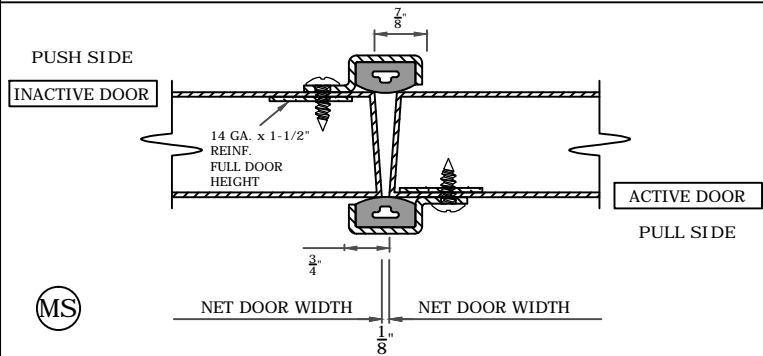


SCIF Level 3
Short Order Form

OPENING SIZE - _____' _____" x _____' _____" - ROUGH OPENING = _____' _____" x _____' _____"
 (Rough Opening Dimension = Door Opening Width + 3"; door Opening Height + 1- $\frac{1}{2}$ ")



P&D & PRESSURE ANCHOR LOCATIONS PLACED TO FULLY ENGAGE STUDS AT EVERY 18" O.C.



DOOR MARK #:

DOOR HARDWARE:

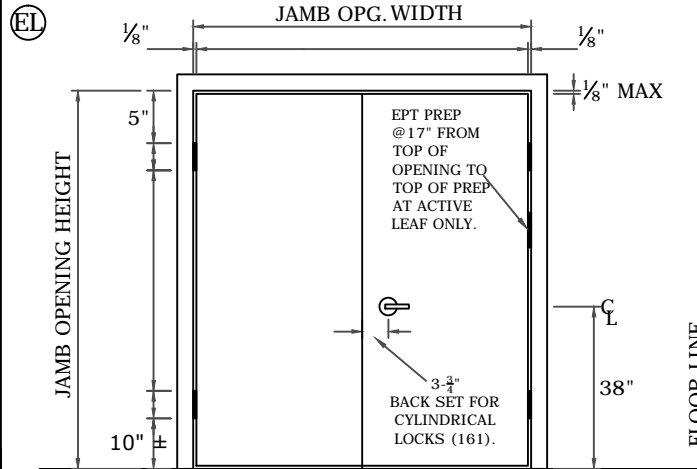
5" X 5" X .250" CAM LIFT HINGES (BY KSP)

CLOSER:

LOCKSET:

HIGH SECURITY LOCK & STRIKE #:

KSP 1A THRESHOLD



FOR APPROVAL

1. SUPPLY WALL CONSTRUCTION & DIMENSIONS.
2. ADVISE FLOORING/SILL CONDITION.
3. SUPPLY DOOR OPENING OR ROUGH OPENING DIMENSIONS.
4. CIRCLE HANDING
5. SUPPLY MARK NUMBER
6. SUPPLY HARDWARE SETS/DEFINITIONS
7. SIGN FOR APPROVALS

AS BUILT DRAWINGS WILL BE SENT FOR INSTALLERS USE; PRODUCT BULLETINS/INSTALLATION DOCUMENTS AVAILABLE AT WWW.KRIEGERPRODUCTS.COM/INSTALLATION.

APPROVED: X _____



SCIF Level 3 (STC 45; FSTC 40)

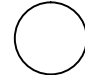
PICO RIVERA, CA
562-695-0645

SCIF Level 3 Short Order Form (Pair)

Project No: _____

Date: _____

Drawn By: _____

Detail: 

Sheet: _____

SWING DETERMINATION: CIRCLE HANDINGS

