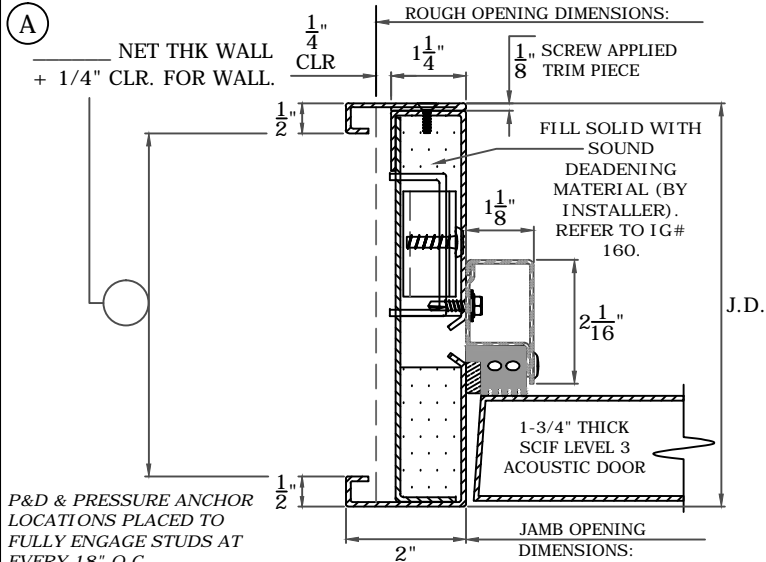
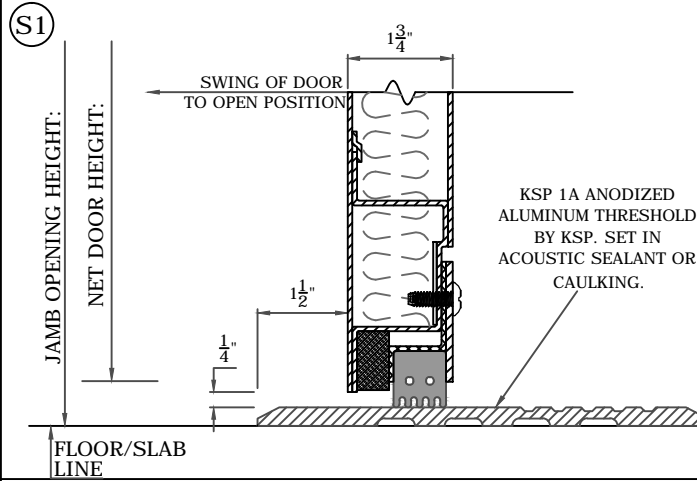
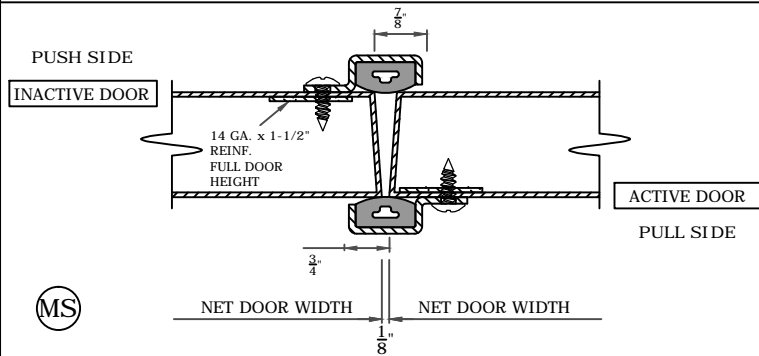


SCIF Level 3
Short Order Form

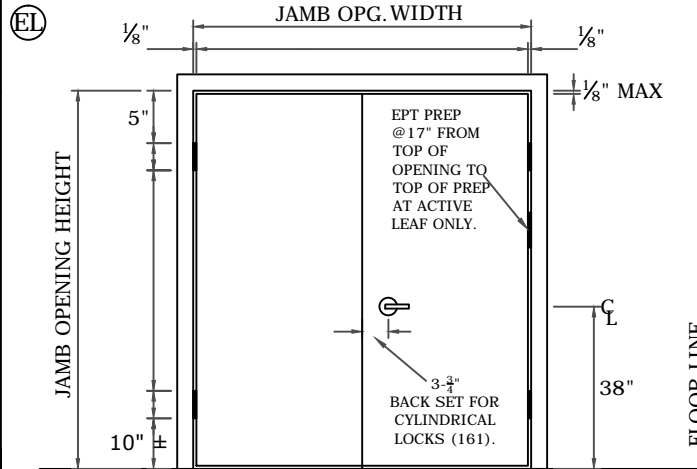
OPENING SIZE - _____' _____" x _____' _____" - ROUGH OPENING = _____' _____" x _____' _____"
 (Rough Opening Dimension = Door Opening Width + 3"; door Opening Height + 1- $\frac{1}{2}$ ")



P&D & PRESSURE ANCHOR LOCATIONS PLACED TO FULLY ENGAGE STUDS AT EVERY 18" O.C.



DOOR MARK #: _____
 DOOR HARDWARE: _____
 5" X 5" X .250" CAM LIFT HINGES (BY KSP)
 CLOSER: _____
 LOCKSET: _____
 HIGH SECURITY LOCK & STRIKE #: _____
 KSP 1A THRESHOLD



FOR APPROVAL
 1. SUPPLY WALL CONSTRUCTION & DIMENSIONS.
 2. ADVISE FLOORING/SILL CONDITION.
 3. SUPPLY DOOR OPENING OR ROUGH OPENING DIMENSIONS.
 4. CIRCLE HANDING
 5. SUPPLY MARK NUMBER
 6. SUPPLY HARDWARE SETS/DEFINITIONS
 7. SIGN FOR APPROVALS

AS BUILT DRAWINGS WILL BE SENT FOR INSTALLERS USE; PRODUCT BULLETINS/INSTALLATION DOCUMENTS AVAILABLE AT WWW.KRIEGERPRODUCTS.COM/INSTALLATION.

APPROVED: X _____

KRIEGER™
 SPECIALTY PRODUCTS
 PICO RIVERA, CA
 562-695-0645

SCIF Level 3 (STC 50; FSTC 45)

SCIF Level 3 Short Order Form (Pair)

Project No: _____

Date: _____

Drawn By: _____

Detail: _____

Sheet: _____

SWING DETERMINATION: CIRCLE HANDINGS

