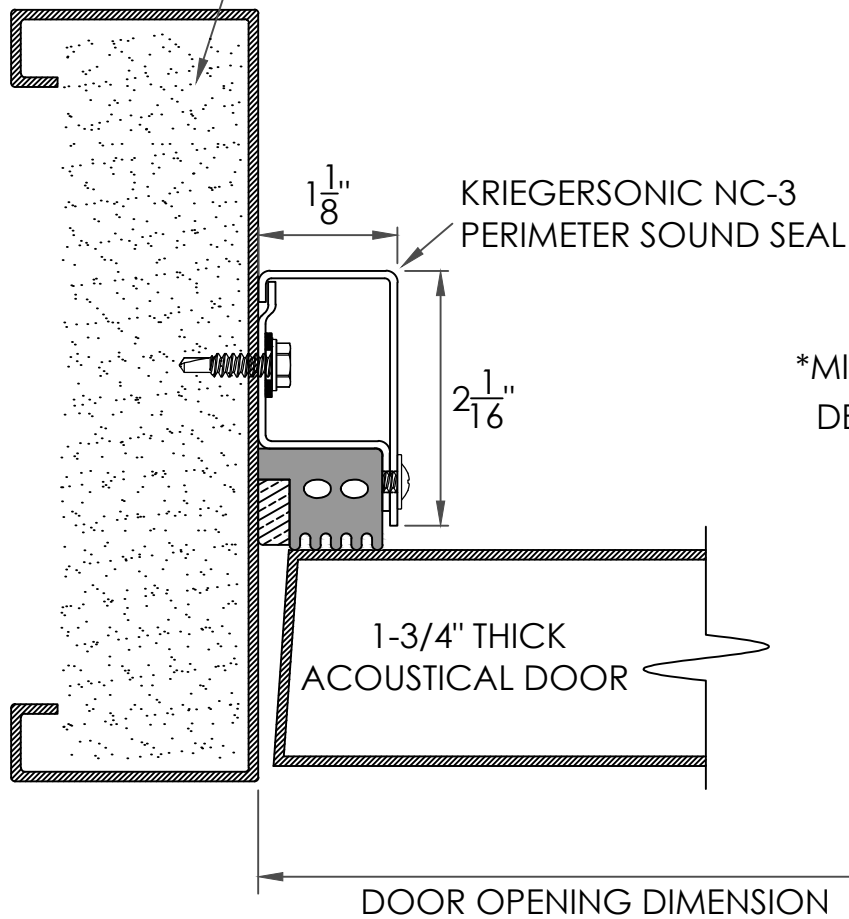


FILL SOLID WITH SOUND DEADENING MATERIAL BY INSTALLER.
(SEE PRODUCT BULLETIN #160)



*MINIMUM JAMB
DEPTH OF 4 $\frac{3}{4}$ "

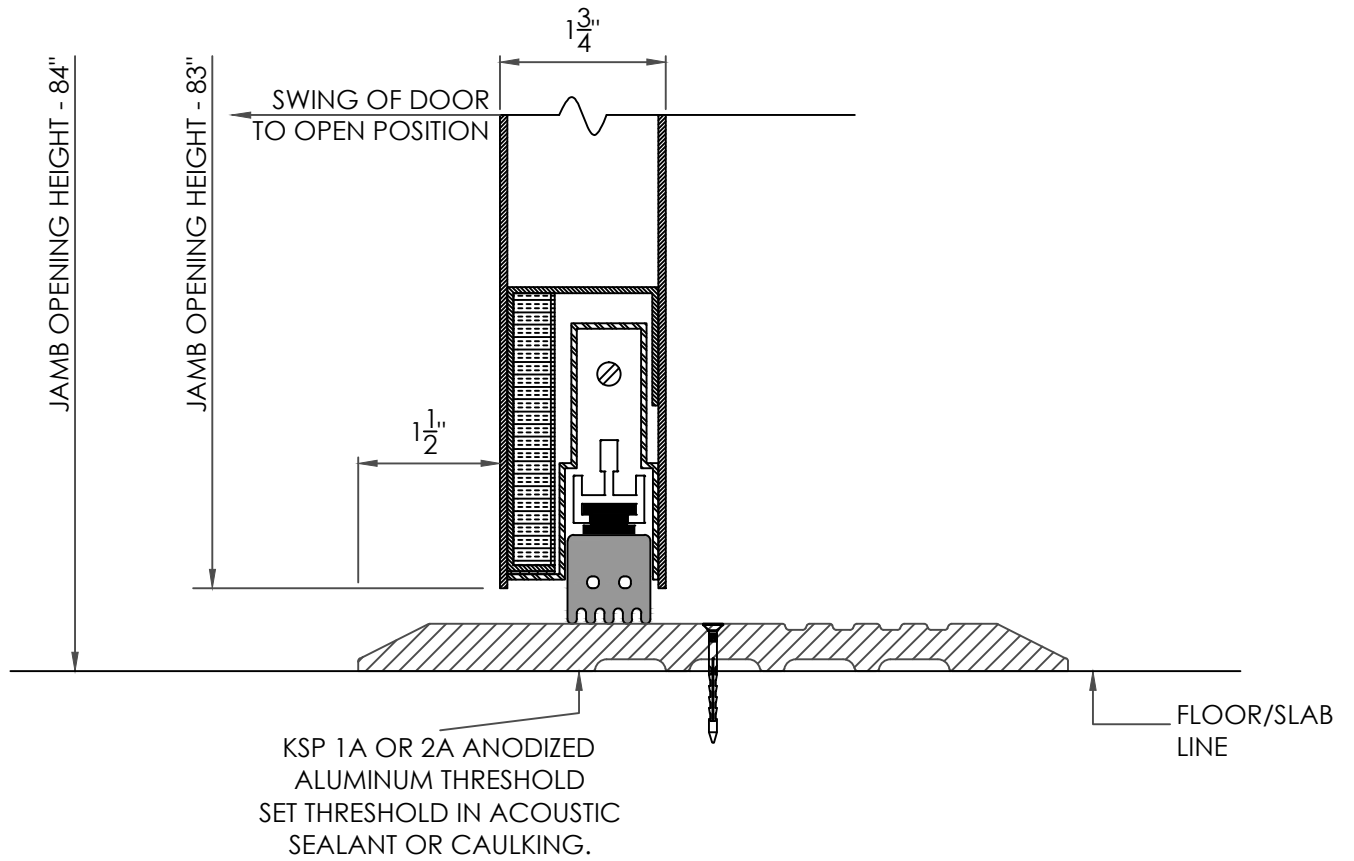


NC-3 Frame Detail

4880 Gregg Road
Pico Rivera, CA 90660
(562) 695 - 0645

Project No: _____
Date: _____
Rev.: _____
Rev. Date: _____
Drawn By: _____

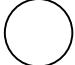
Detail:  _____
Sheet: _____

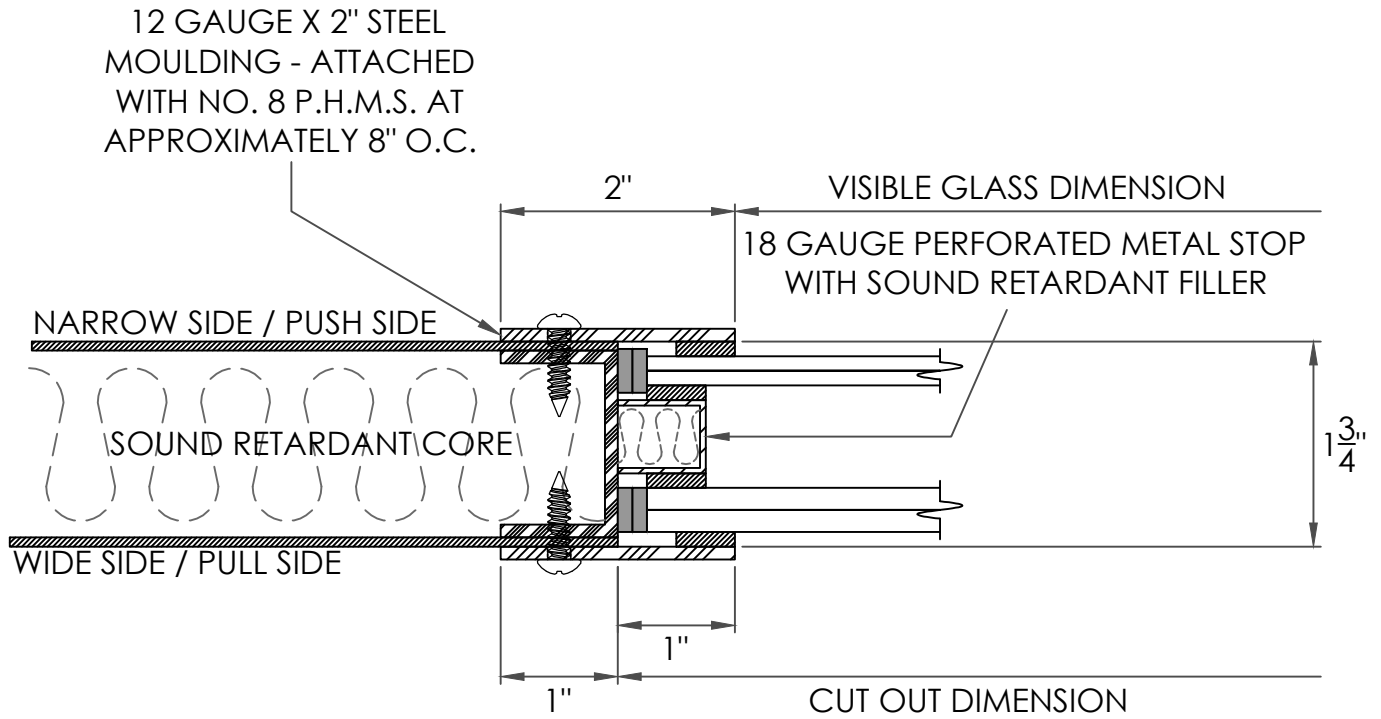


4880 Gregg Road
 Pico Rivera, CA 90660
 (562) 695 - 0645

NC-3 DB-3 Sill Detail

Project No: _____
 Date: _____
 Rev.: _____
 Rev. Date: _____
 Drawn By: _____

Detail:  _____
 Sheet: _____



4880 Gregg Road
Pico Rivera, CA 90660
(562) 695 - 0645

NC-3 Vision Lite Detail

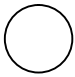
Project No: _____

Date: _____

Rev.: _____

Rev. Date: _____

Drawn By: _____

Detail:  _____

Sheet: _____