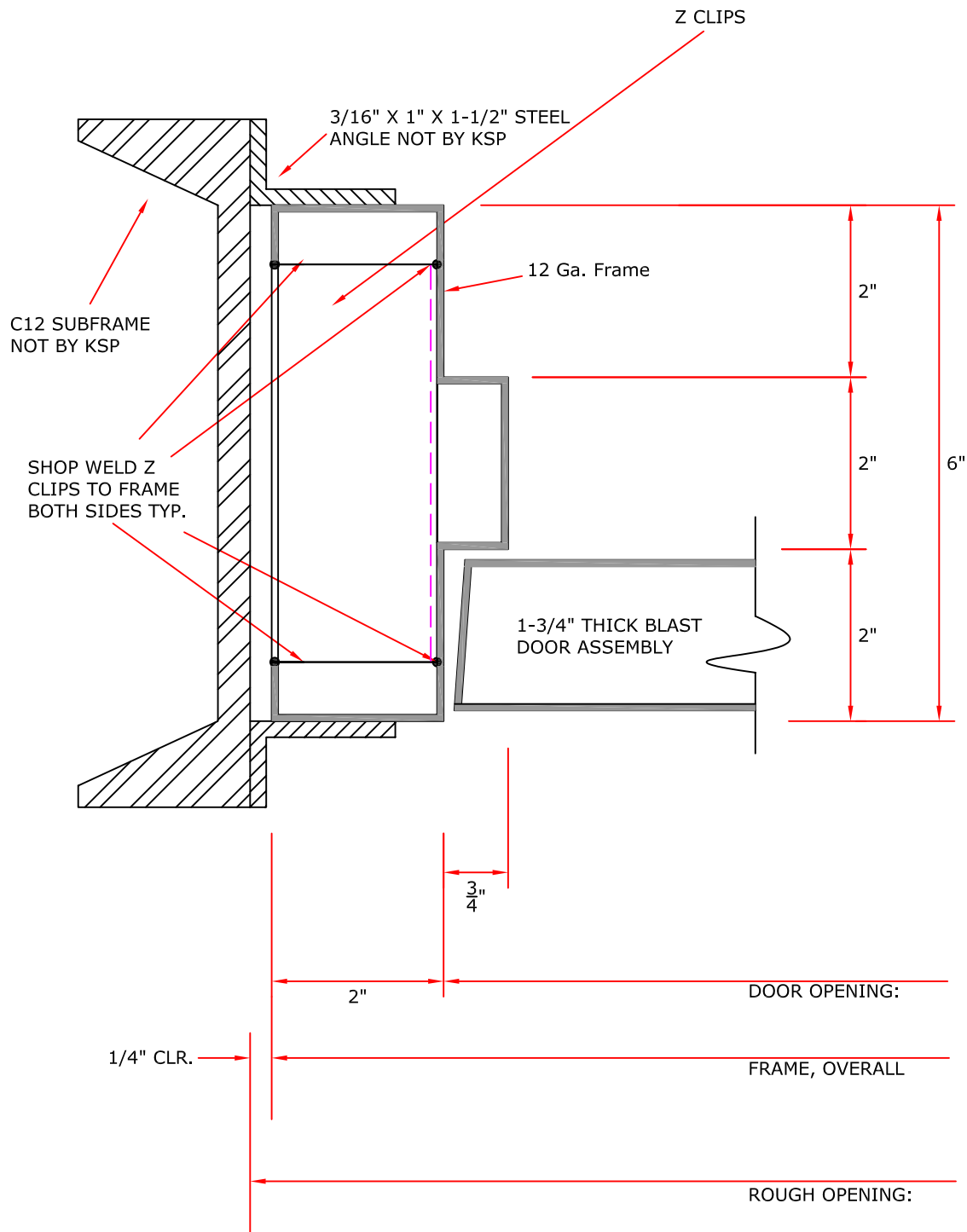


KBR 2 .0 psi



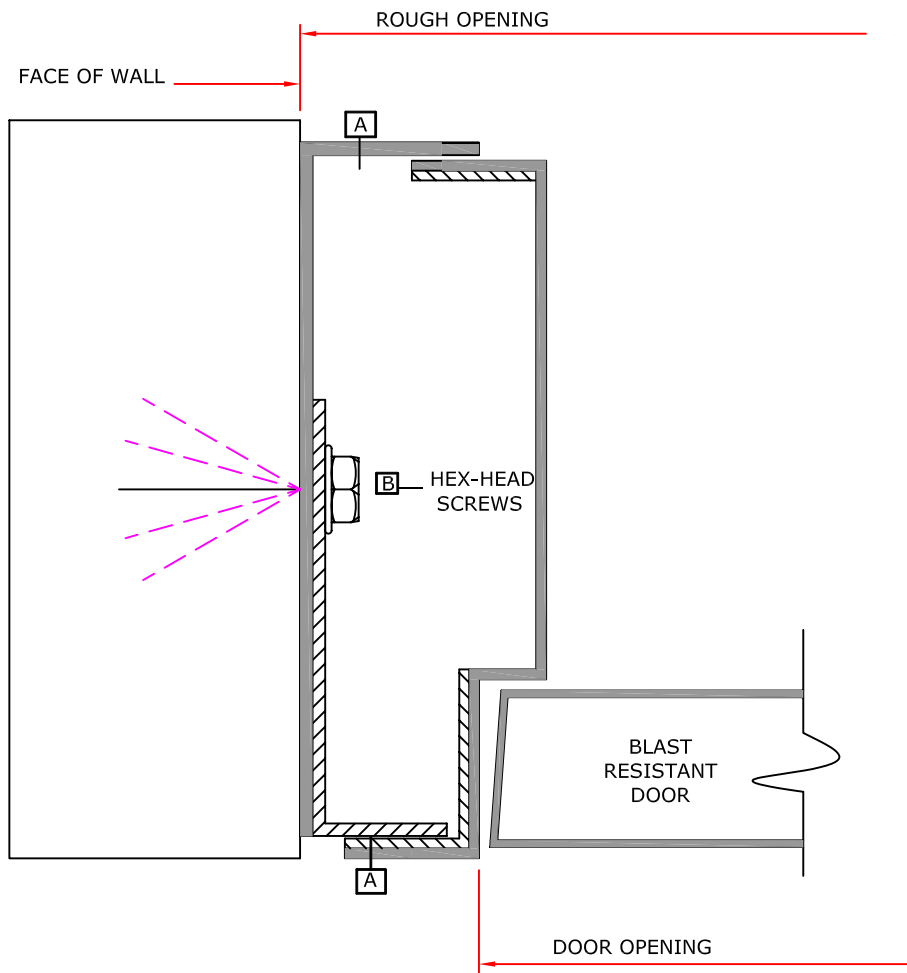
Pico Rivera, CA 90660
 (562) 695 - 0645



KBR 2.0 psi



Pico Rivera, CA 90660
 (562) 695 - 0645



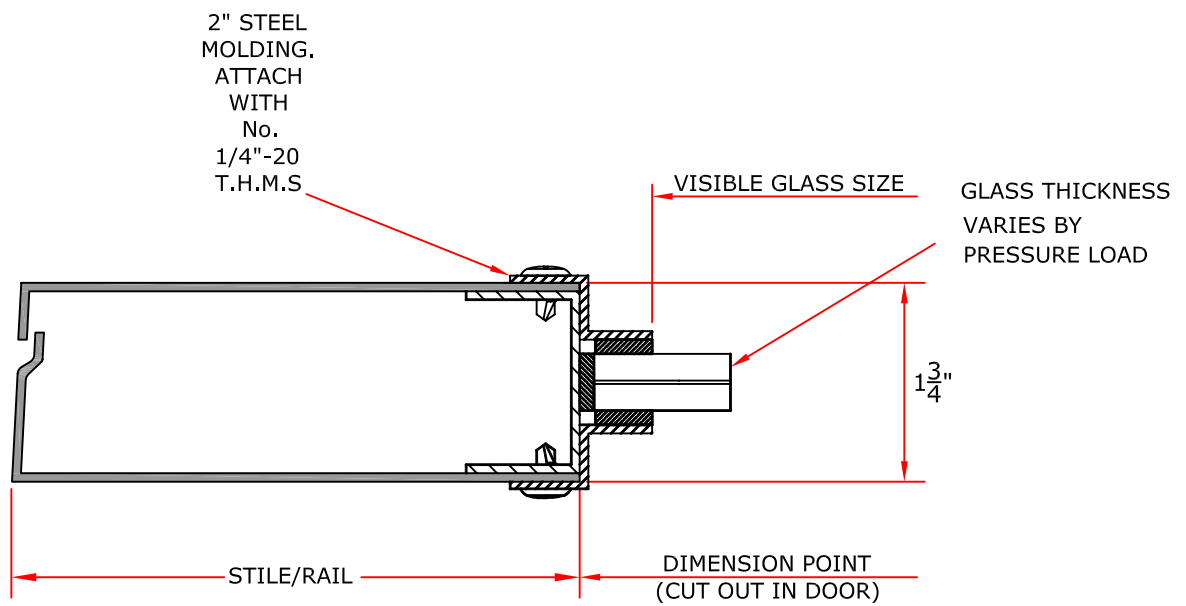
A 12 GA. SUB-FRAME SHIPS IN THREE (3) PIECES. 12 GA. DOOR FRAME SHIPS AS ONE WELDED UNIT.

B INSTALLER DRILL FOR AND APPLY 1/4-20 HEX-HEAD THREAD CUTTING SCREWS; LOCATIONS SET BY FACTORY (APPROX. 8" O.C.)

KBR 2.0 psi



Pico Rivera, CA 90660
(562) 695 - 0645



*Laminated, fully heat tempered clear glass. Thickness and number of piles to be determined by manufacturer to suit the overpressure criteria.

KBR 2.0 psi



Pico Rivera, CA 90660
(562) 695 - 0645