



**705 SCIF DOOR AND LOCK PACKAGE: RF 40 dB, STC-50 HYBRID, FLUSH STEEL DOOR**

- STC-50 lab rated performance per ASTM E90, which meets ICD 705 SCIF criteria for sound groups 3 & 4.

- Radio Frequency (RF) SE 40 dB performance. Attenuates electric field, plane wave and microwave frequencies from 1 KHz through 18 GHz, lab tested per IEEE-299.

- Can be paired with any type of S&G or LKM 2890B/C device.

- Can be ordered online as an ICD705 certified package for wall thicknesses from 5" up to 6-1/4".

- Krieger HC30 cam-lift hinges are 100% ADA compliant on door leaves which weigh up to 700 lbs. Hinges can be ordered with optional security pins to enhance the openings security.

- Can be UL10C fire rated up to 20-minutes.

- Single hybrid seal system simplifies installation and adjustment, while maintaining durability.

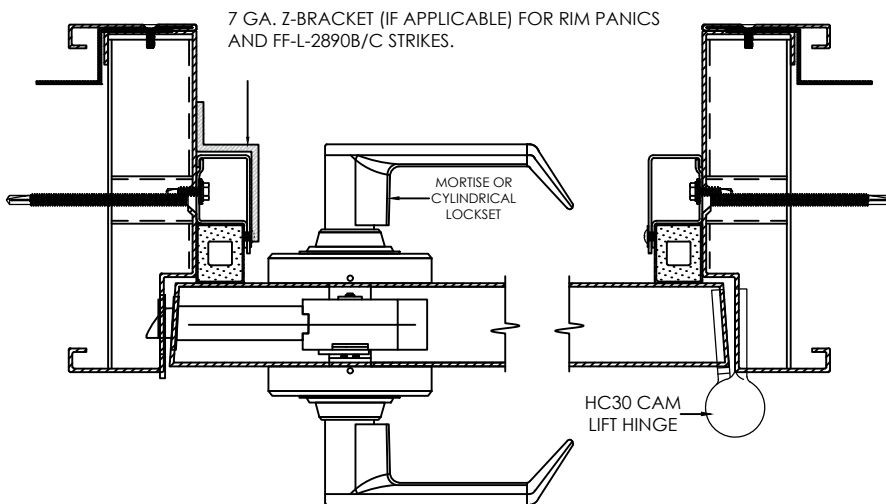
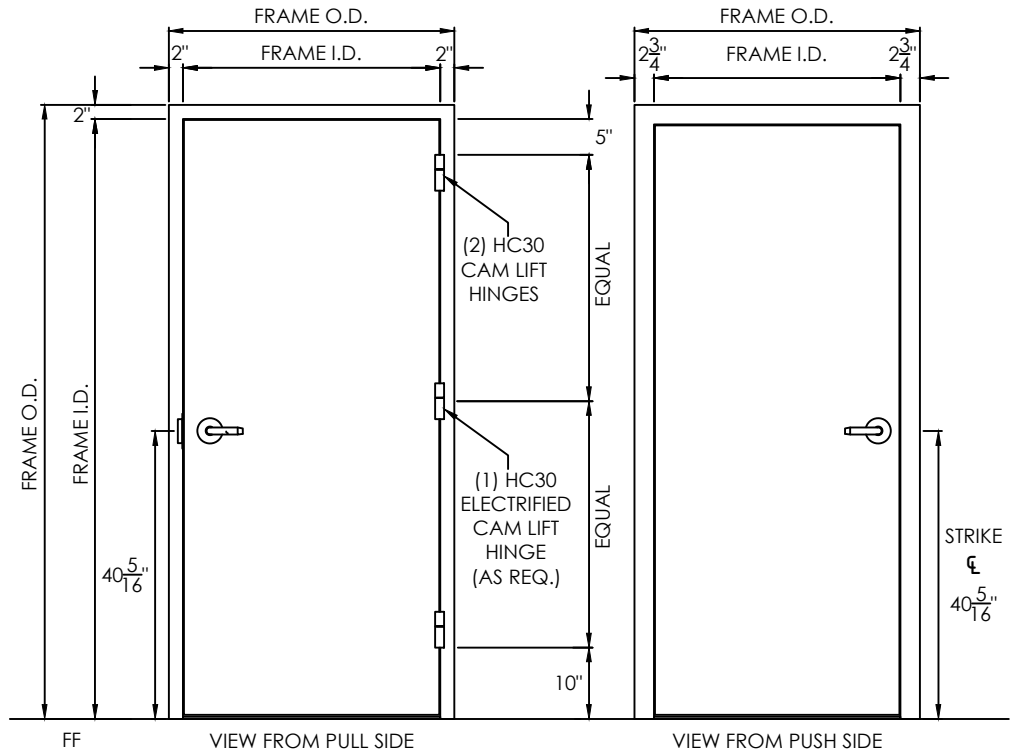
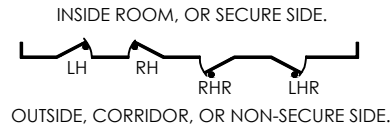
- Can be customized with wood veneer, PLAM or flexwood. Wood veneer can be shipped unfinished, clear coated or custom finished with FSC options available.

- 14 Gauge Stainless Steel (SS) frame comes standard with a 1/4" thick factory welded SS nondirectional finish threshold.

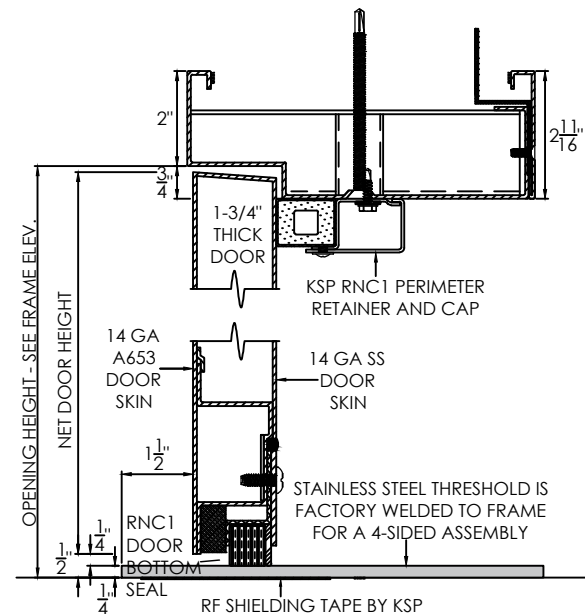
- 2-piece slip-in frame comes standard for existing wall applications and simplifies installation.

- 14 Gauge door skins come standard.

- Insulated door panel comes standard.



**HORIZONTAL SECTION**



**VERTICAL SECTION**