



Forced Entry 15 Ultimate Hybrid 8

Model: FE15-BR8-RF60-STC50



15 Minutes
Forced Entry



UL 752 Level 8
Bullet Resistance

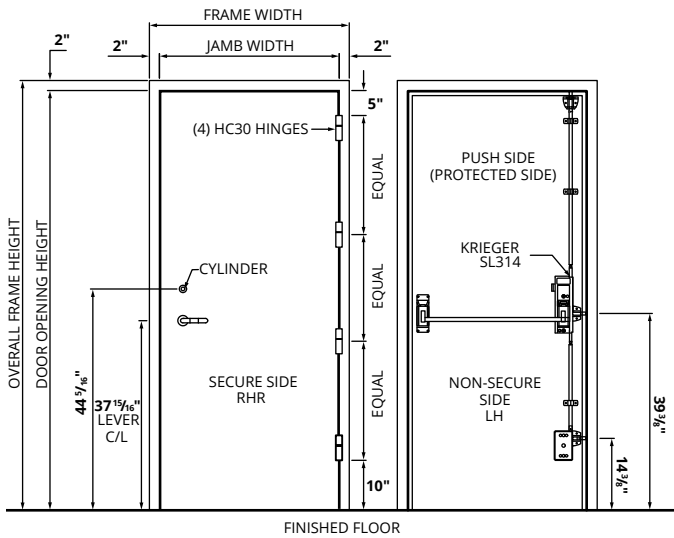


STC 50
Acoustical Rating



60 dB Shielding
Radio Frequency

Krieger's industry-leading forced entry (FE) hybrid door provides the ultimate combination when it comes to special purpose performance—FE, bullet, radio frequency (RF), and acoustical protection.



First, it is tested to the new SD-STD-01.01 Forced Entry and Ballistic Resistance Standard—and exceeded the 15-minute test twice. The UL 752 Level 8 bullet rating means the door can stop up to 5 shots from a 7.62 mm high-powered, sniper, or tactical rifle.

Plus, it provides 60 dB RF shielding protection for full security of RF-shielded enclosures while its STC 50 acoustical rating ensures privacy and a high level of sound control.



All Krieger doors are backed by our 10 Year Manufacturer's Guarantee.

Premier Custom Finishes



Prime Painted



Wood Veneer



Stainless Steel



Historic Designs



Moldings & More

Our full range of custom finish options includes prime painted, wood veneer, stainless steel, specialty finishes, and more—all perfectly matched to complement your project.

Rev. 1-090123

Forced Entry 15 Ultimate Hybrid 8

Model: FE15-BR8-RF60-STC50

Details

Tests and Certifications

- Successfully tested and rated to 15 minutes per SD-STD-01.01 Revision G. The hinge edge was tested up to 30 minutes, and the rest of the door assembly resisted laboratory attack efforts by a six-person team for up to 75 minutes.
- UL 752 Level 8 bullet rating can withstand 5 impacts of 7.62 NATO (.308 150 grain) rifle ammunition shot at 3025 maximum FPS.
- 60 dB RF protection in the electric field, planewave, and microwave fields in the frequency range of 1 KHz to 18 GHz; Lab tested per IEEE-299.
- STC 50 acoustical rating ensures professional, commercial quality sound control. Frame grouting is not required, can be filled with 8# density mineral wool insulation.

Door and Frame Construction

- 12-gauge stainless steel frame comes standard with a ¼" thick factory-welded, nondirectional finished threshold.
- Option for ½" thick threshold is available.
- 14-gauge door skins come standard to form a 3" thick armor-core door panel with robust internal reinforcements and a surface-mounted steel security astragal.

Door Sizes

- Krieger can design and manufacture FE hybrid doors in standard and custom sizes, including oversized doors.

Fire Labels and Positive Pressure

- **Smoke Labels:** Up to 20 minutes

Hardware

- Krieger SL314 self-latching, multipoint exit device combines security with easy access. Complies with NFPA 101-Life Safety Code and closes on its own for added security.
- SL315 option is available for an emergency lever configuration.
- Krieger HC30 Cam Lift Hinges are Grade 40 as tested to ASTM F476. Hinges are recommended to be ordered with optional security pins to enhance the openings security.

Security

- Reverse-handed assemblies are recommended for maximum security.

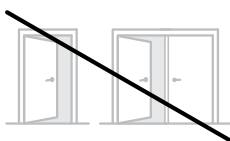
Finishes

- Krieger's custom finish options include prime painted, wood veneer, stainless steel, specialty finishes, and more—all perfectly matched to complement your project.

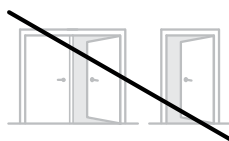
Door Handing

Reverse handing is required on FE models to ensure the door conforms to the standard.

- Double doors must have a removable mullion.
- If your project requires regular handing, contact us, as regular handing will not achieve the desired rating.



Left Hand
(LH)



Right Hand
(RH)



Left Hand Reverse
(LHR)



Right Hand Reverse
(RHR)

Optional Add-Ons

Specialized Hybrid Performance

Krieger's FE hybrid doors can be configured with optional add-on features and different ratings to meet your specific performance needs.

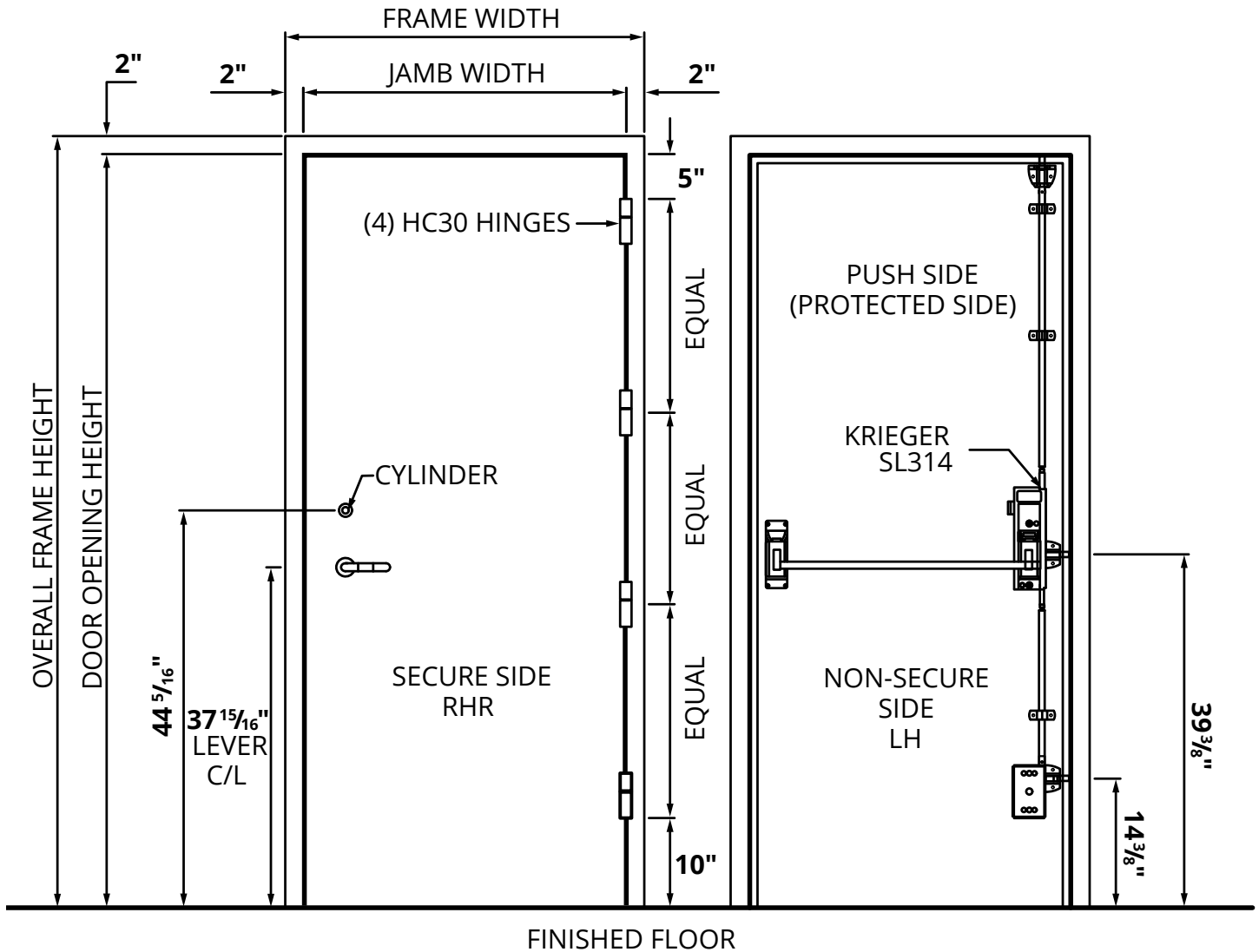
- **Acoustical & SCIF**
Add up to an STC 55 rating and SCIF Sound Groups 3 and 4.
- **Bullet & Forced Entry**
Enhance door security with an ASTM F476 Grade 40 label.
- **Blast & Pressure**
UFC 4-010-01 and UFC 3-340-02 certifications are available.
- **Radio Frequency**
Get RF shielding of 40 dB or 60 dB for TEMPEST facilities.
- **Tornado & Hurricane**
Can comply with FEMA P-361 (tornado) or FEMA P-320 (hurricane).

Rev. 1-090123

Forced Entry 15 Ultimate Hybrid 8

Model: FE15-BR8-RF60-STC50

Elevation View

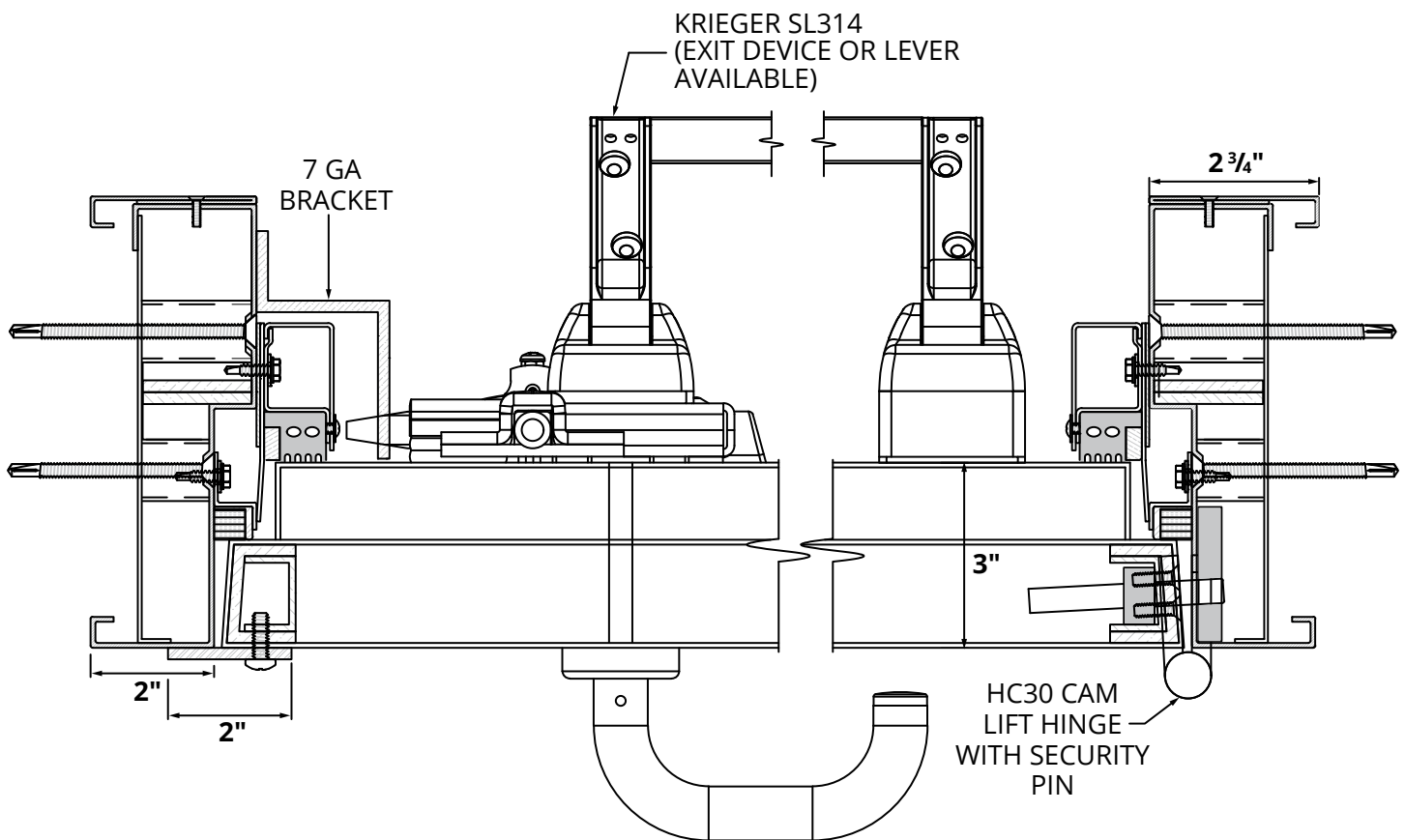


Rev. 1-090123

Forced Entry 15 Ultimate Hybrid 8

Model: FE15-BR8-RF60-STC50

Horizontal Section

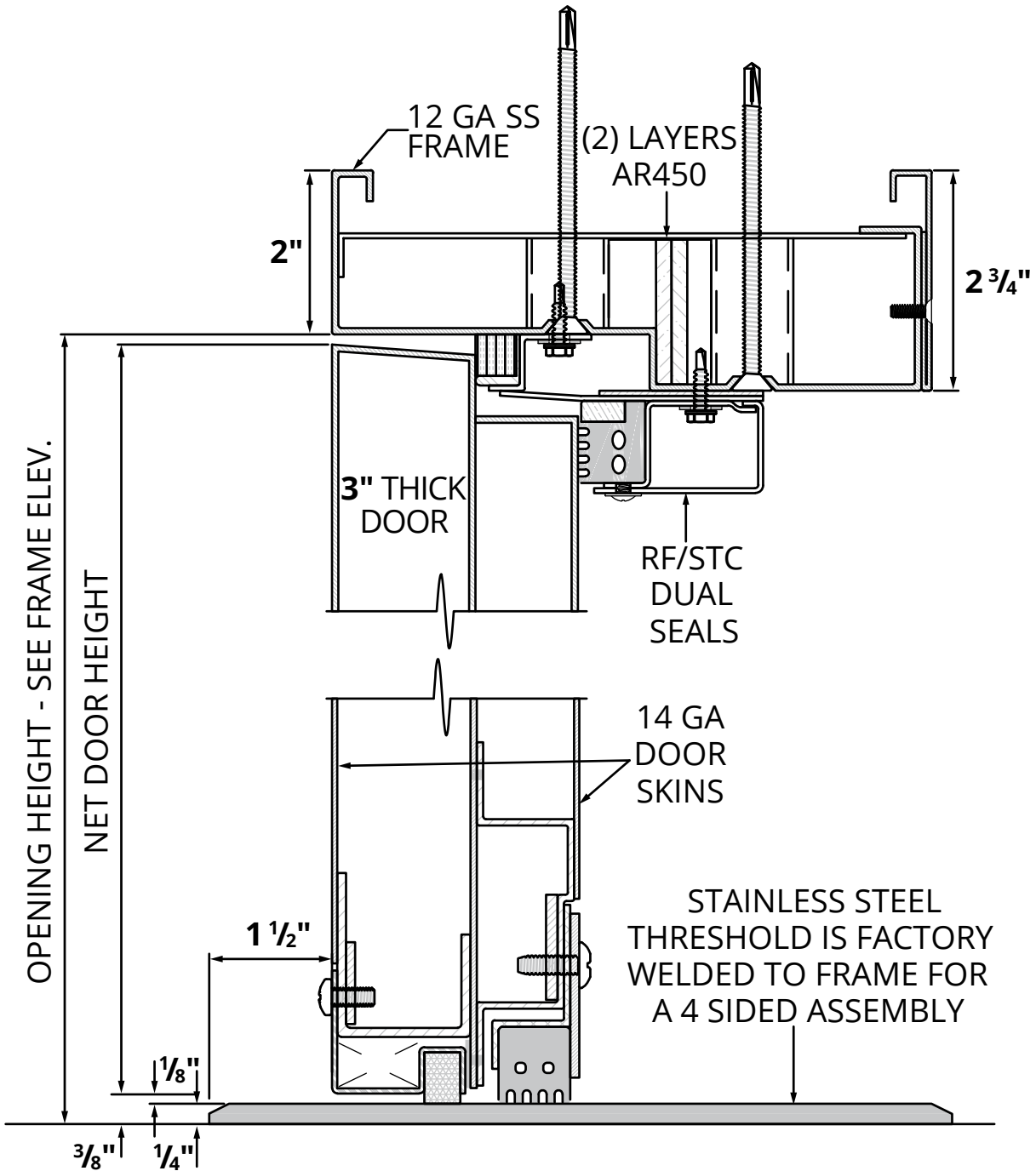


Rev. 1-090123

Forced Entry 15 Ultimate Hybrid 8

Model: FE15-BR8-RF60-STC50

Vertical Section



Rev. 1-090123