



Model: SCIF-HM-SG4-40dB



Sound Group 4  
SCIF Standard



40 dB Shielding  
Radio Frequency



STC 50  
Acoustical Rating

ADA  
COMPLIANT

FIRE RATED  
UP TO 20 MINUTES

1 3/4" THICK  
DOOR PANEL

KriegerSCIF doors are engineered to comply with ICD 705 and TEMPEST standards for sensitive compartmented information facilities (SCIFs). Door assembly meets Sound Group 4 requirements and provides 40 dB radio frequency (RF) shielding and an STC 50 acoustical rating.



### Configurations

Available in single, uneven paired, and double door assemblies—two-panel options come with a removable mullion.

### Door Panel

Typical 1 3/4" thick panel with seamless edge on top and sides, and adjustable door bottom. ADA-compliant for push/pull maximum force.

### Frame

Innovative slip-in frame with trim can be tied into any type of construction.

### Unique Seal System

Krieger's RF/STC perimeter seal provides superior durability over finger stock gaskets.

### Cam Lift Hinges

SCIF assemblies come with three Cam Lift Hinges for enhanced radial strength and longer lasting performance.

### Custom Finishes



Prime Painted



Stainless Steel



Historic Designs



Moldings & More

Wood Veneer Available  
See separate cut sheet for details.

### Tapered Threshold

Includes stainless steel threshold with 1/4" tapered, caster-friendly edge. Fully ADA-compliant.

## Customize Your Assembly

Contact your Krieger Regional Sales Manager to discuss your project requirements, get a quote, and request full test report data.

Call us at 877.671.7011 or visit [KriegerProducts.com](http://KriegerProducts.com) to get started.

HM-00013 Feb 2026





## Tests and Certifications

- Complies with ICD 705 Sound Group 4 requirements for SCIFs.
- Provides 40 dB RF shielding in the magnetic, electric field, planewave, and microwave fields in the frequency range of 1 KHz to 8 GHz.
- Certified for use in installations where TEMPEST standards are required.
- Successfully tested and rated to STC 50 (NIC 45 in situ); higher ratings up to STC 55 are available.
- Can be configured with a built-in UL 752 bullet rating up to Level 3; higher bullet ratings are available up to Level 10.
- **Radio frequency:** IEEE-299-2006 Standard, NSA 65-6, MIL STD-285, and Division 8 Standard.
- **Acoustical:** ASTM E90, ASTM E336, ASTM E1408, ASTM E413, ASTM A 1008, JUIAF, JAFAN, DCID 6/9, and ICPM 2006-700-7.

## Hardware

- SCIF assemblies come with three HC30 Cam Lift Hinges: two support hinges and one electrified hinge.
- Designed to interface with recommended builder's hardware, including latches and locksets, panic devices, security hardware, and other options.
- Option to come installed with a Sargent & Greenleaf or Lockmasters 2890 locking device.

## Fire Labels and Positive Pressure

- Smoke Labels: Up to 20 minutes

## Door and Frame Construction

- Innovative slip-in frame design makes it easy to install, saving time on the job site.
- RF hybrid assembly is designed to tie into any type of construction to ensure a true Faraday shield.
- Features 1¾" thick door panel and can meet all specifications for size, finish, and performance.
- Unique seal system includes Krieger's RF/STC RNC1 (fabric over foam) perimeter seal for superior durability over finger stock gaskets, and an adjustable RNC1 (silicone) door bottom for a tight seal even on uneven floors.
- Frame is insulated with 8# density mineral wool, saving installation time.
- Door panel meets ADA requirements for push/pull maximum force.
- Comes with ADA-compliant stainless steel threshold with ¼" tapered edge.

## Door Sizes

- Available in standard and custom sizes, including oversized doors.

## Finishes

- Krieger's custom finish options include prime painted, stainless steel, specialty finishes, and more—all perfectly matched to complement your project.
- Wood veneer is available. See separate cut sheet for details.

### 705 SCIF Door and Lock Package

## Door & Lock All in One Box

#### DOOR AND SLIP-IN FRAME

- 100% ICD 705 Certified
- SCIF Sound Groups 3 or 4
- Fully ADA Compliant

#### CHOICE OF LOCKING DEVICE

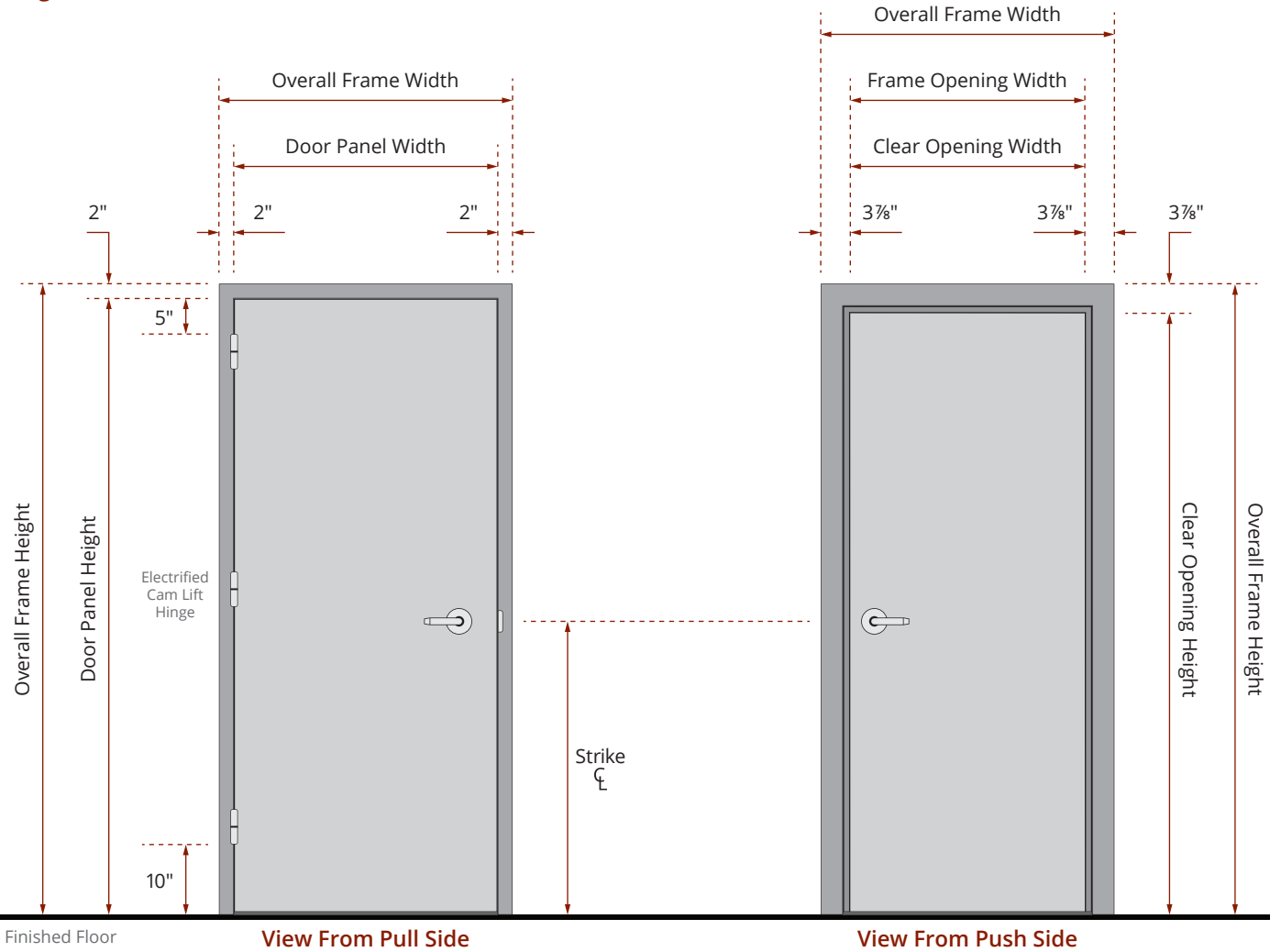
- Sargent & Greenleaf
- Lockmasters





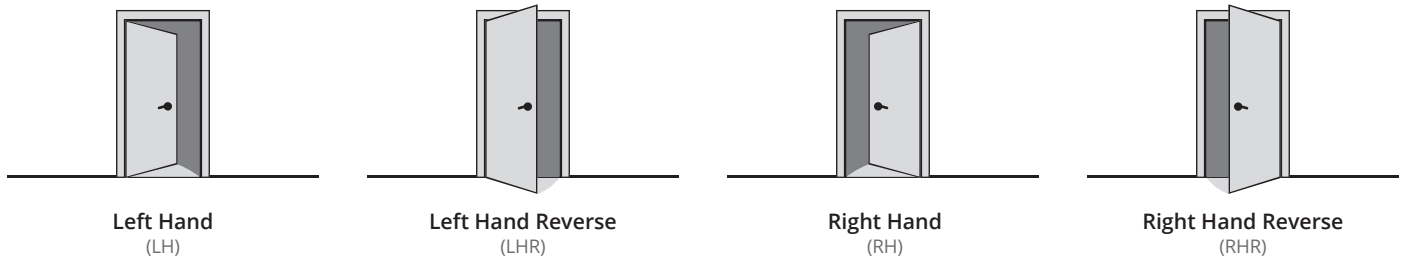
## Elevation View

### Single Door



### Door Handing Options

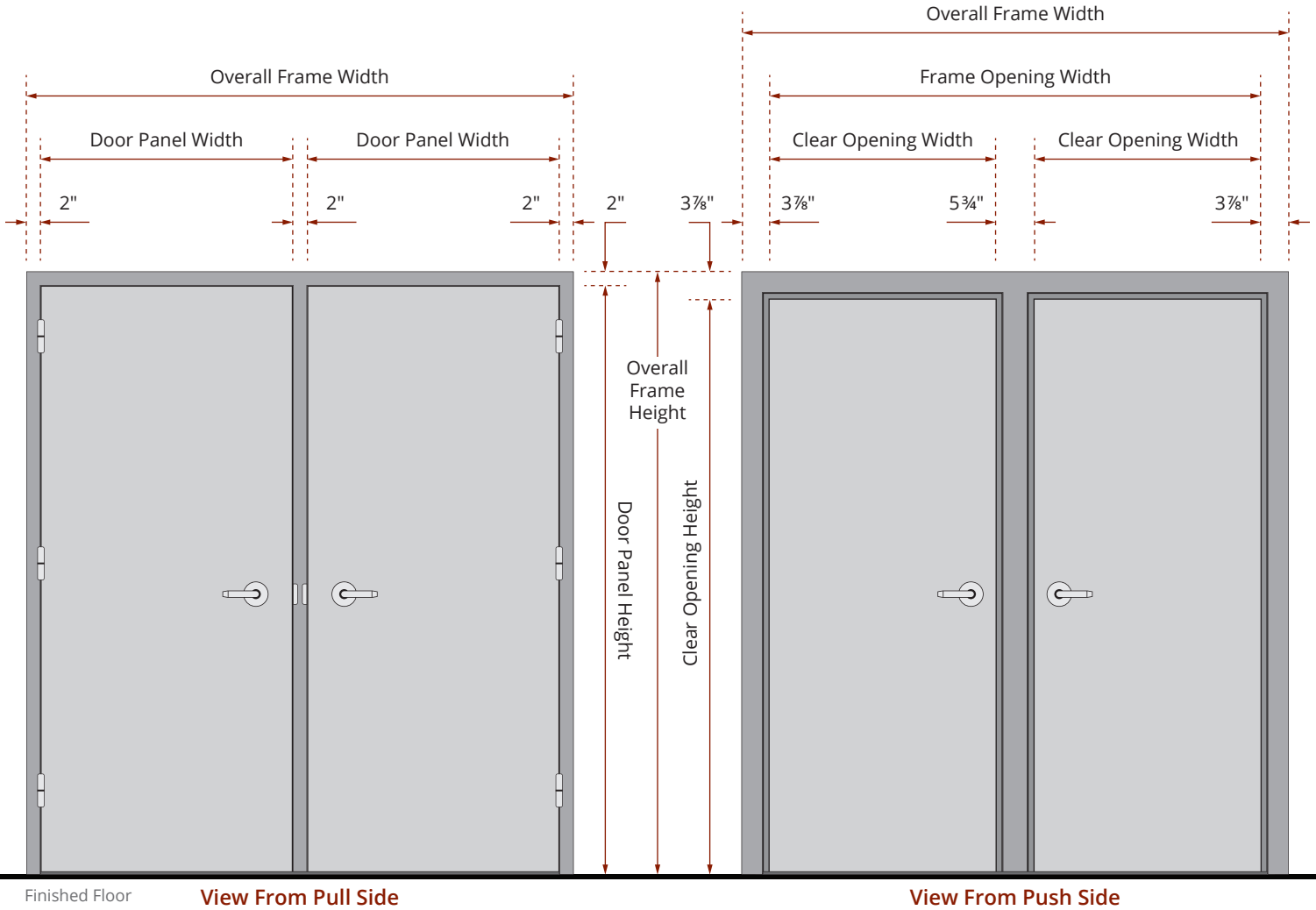
KriegerSCIF doors are available in any door handing configuration your project requires.





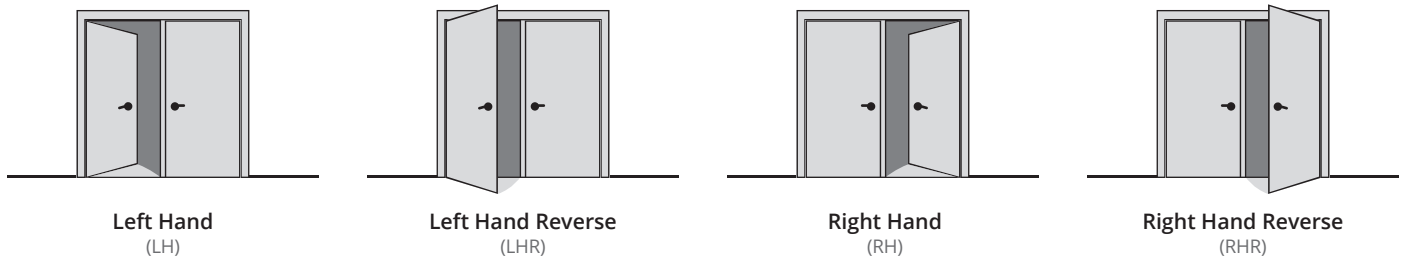
## Elevation View

### Double Door with Mullion



### Door Handing Options

KriegerSCIF doors are available in any door handing configuration your project requires.





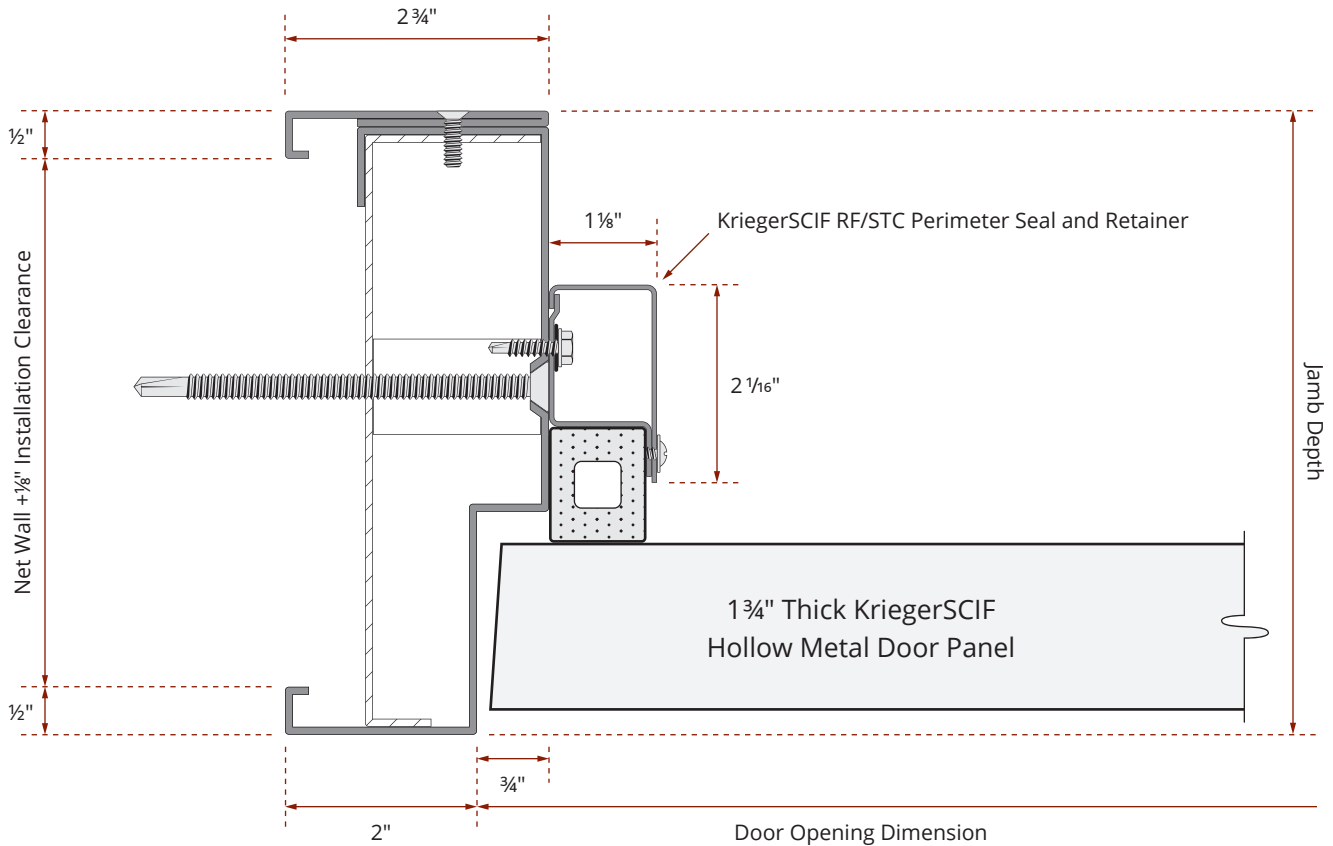
## Frame Detail

### Slip-In with Trim Frame

Z anchor, nailing straps, T anchor, and punch & dimple frames are also available.

### Door Panel

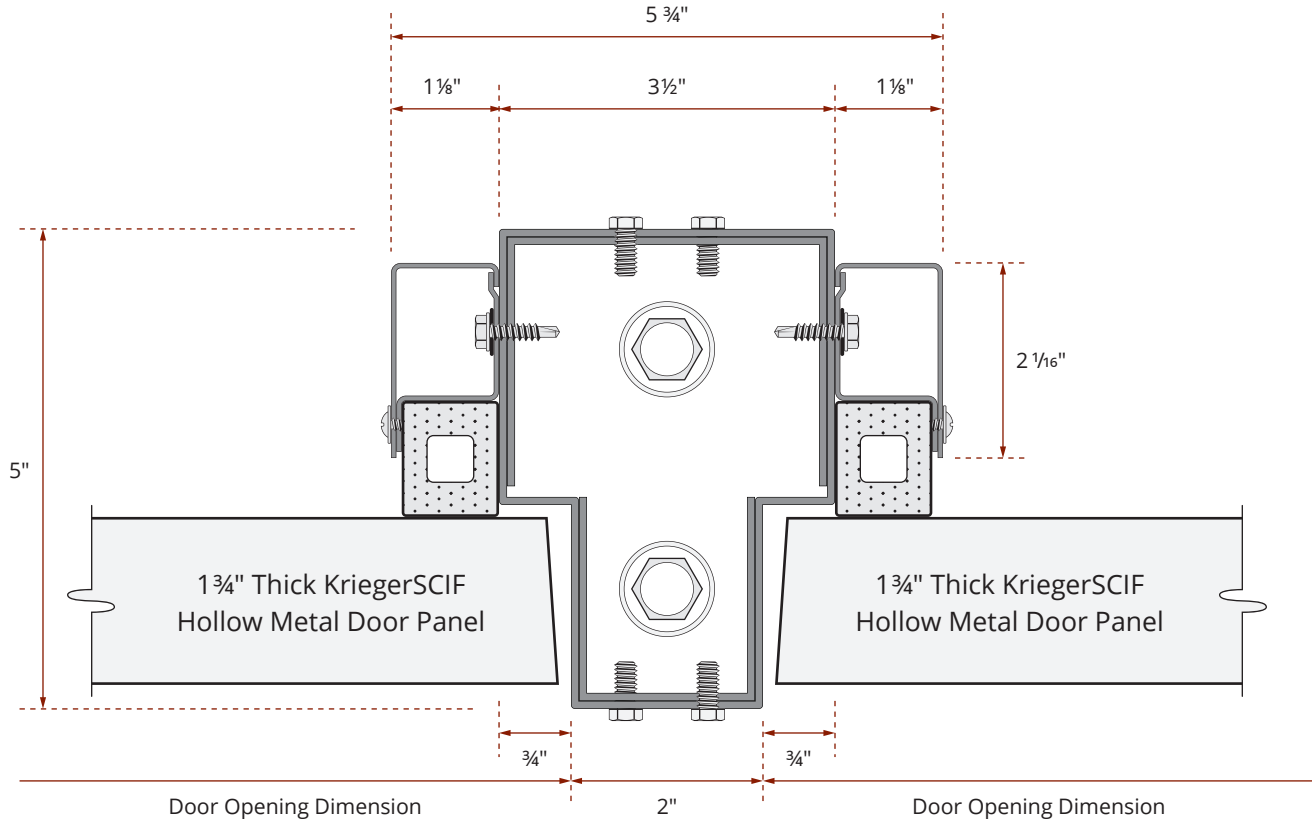
Comes with a typical 1 3/4" thick door panel with a seamless edge on the top and sides, and an adjustable door bottom.





## Frame Detail

### Mullion Detail





## Door Bottom

### Adjustable Door Bottom Detail

