



## What to Know Before Getting Started

- 1. NOTE:** This installation guide focuses on the installation of radio frequency (RF) window glass.
- 2. For information on how to install standard, laminate glass, please refer to [Installation Guide 210](#).**



Download guide

[https://www.kriegerproducts.com/support/manuals/IG\\_210.pdf](https://www.kriegerproducts.com/support/manuals/IG_210.pdf)



## We're Here to Help

At Krieger, we understand every project is unique. If after reviewing this guide, you have any questions or concerns about installing, adjusting, or maintaining your Krieger product, our engineering department is here to help.

Please call us directly at **562-695-0645** or reach out to your regional sales representative.

Visit [kriegerproducts.com/contact/](https://www.kriegerproducts.com/contact/) for more information.

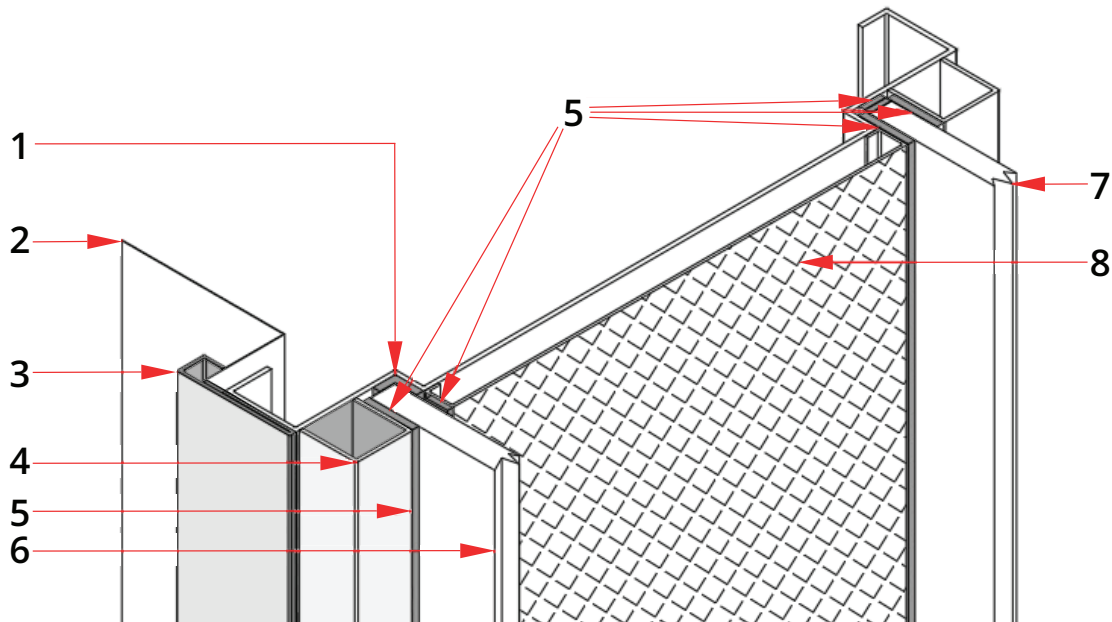
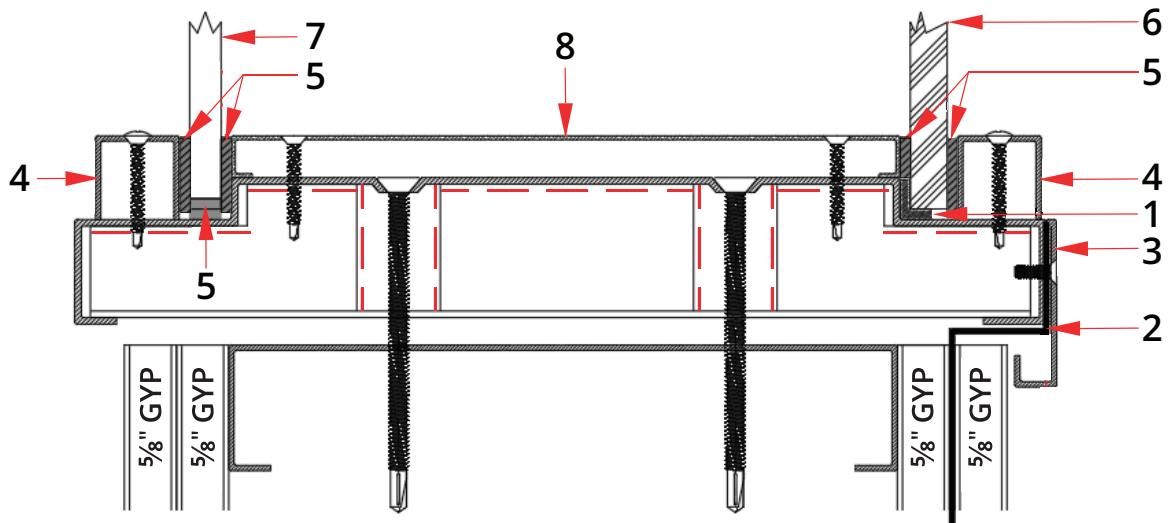


## Made in the USA

All Krieger products are proudly designed and manufactured in the United States.

Materials Legend

- |  |                             |
|--|-----------------------------|
| 1. Krieger electrosonic neoprene seal      | 5. 1/8" thick glazing tape  |
| 2. Wall RF film (installed prior to frame) | 6. EMI glass                |
| 3. Krieger removable trim                  | 7. Laminate glass           |
| 4. Stainless steel (SS) glass stops        | 8. 18-gauge perforated stop |



Rev. 010524

## Installation Instructions

---

### STEP 1

- Remove the four SS glass stops (4) from the frame.
- 

### STEP 2

- Apply the Krieger electrosonic neoprene seal (1) along the entire interior perimeter of the integral frame stop on the side of the opening containing the EMI glass (6).
- 

### STEP 3

- Install glazing tape (5) on the inside of the removable stops/vision lite frame as well as on perforated material (8). The tape should be applied to the entire perimeter of the glass in order to make continuous contact with the glazing on both sides.

## STEP 4

- Thoroughly clean glass prior to installation. Follow manufacturer's instructions for cleaning polycarbonate and whitewater glass as certain cleaners may damage the glass.
  - UL marking list must remain visible on the exterior side, if applicable.
- 

## STEP 5

- Line the perimeter of the of the frame where the edge glass will rest against it with two layers of 1/8" glazing tape (5) on the laminated glass side (7).
- Install the EMI glass (6) and reinstall the glass stops (4); repeat step for the laminate glass side.

End Instructions