



## What to Know Before Getting Started

**1. NOTE:** Before installing the radio frequency (RF) frame assembly, make sure the floor is level and flat with the RF conductive flooring material in place.

**2. WARNING:** The threshold will come from the factory welded to the frame creating a four-sided frame. Be careful to **NOT DRAG OR DROP** the frame as this can cause damage to the pre-installed RF gasket under the threshold.



### We're Here to Help

At Krieger, we understand every project is unique. If after reviewing this guide, you have any questions or concerns about installing, adjusting, or maintaining your Krieger product, our engineering department is here to help.

Please call us directly at **562-695-0645** or reach out to your regional sales representative.

Visit [kriegerproducts.com/contact/](https://www.kriegerproducts.com/contact/) for more information.



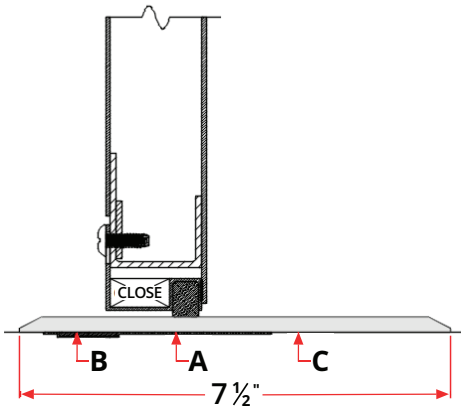
### Made in the USA

All Krieger products are proudly designed and manufactured in the United States.

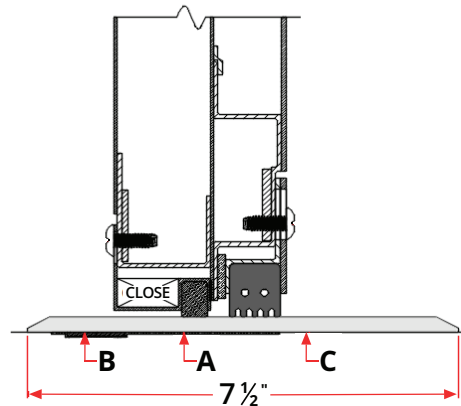
## Installation Instructions

- When placing the frame into position be sure to check for positive contact between the RF shielding tape (A), neoprene gasket (B), and the RF shielding material used in the enclosures floor (C).
- This gasket and shielding tape are designed to follow minor imperfections in the floor but will not bridge major gaps.
- Apply acoustical or EMI caulking under the threshold in areas away from the pre-installed RF gasket.

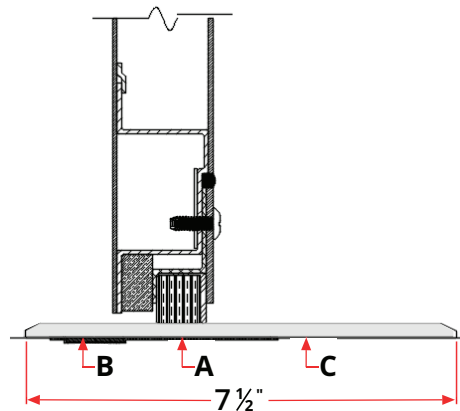
### A. RF Shielding Tape (factory sealed)



### B. Neoprene Gasket (factory sealed)



### C. Finished Floor with Grounding Material



End Instructions

Rev. 010524