



What to Know Before Getting Started

1. **NOTE:** Please install the frame according to **Installation Guide 100:**



Download guide

https://www.kriegerproducts.com/support/manuals/IG_100.pdf

2. **For maximum performance the frame must be installed level, square, plumb, and in plane.**



We're Here to Help

At Krieger, we understand every project is unique. If after reviewing this guide, you have any questions or concerns about installing, adjusting, or maintaining your Krieger product, our engineering department is here to help.

Please call us directly at **562-695-0645** or reach out to your regional sales representative.

Visit [kriegerproducts.com/contact/](https://www.kriegerproducts.com/contact/) for more information.



Made in the USA

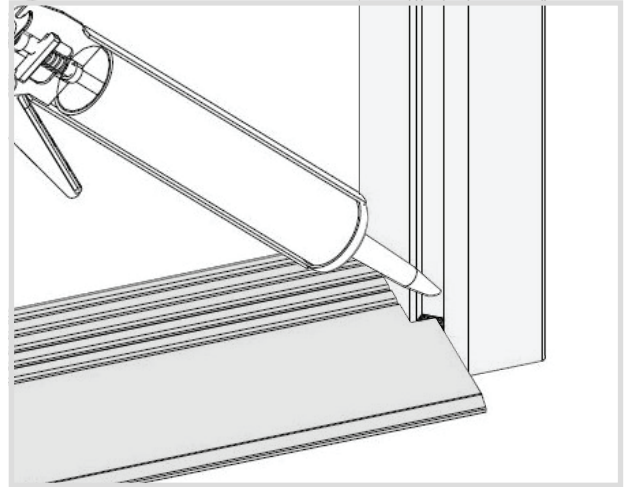
All Krieger products are proudly designed and manufactured in the United States.

Installation Instructions

STEP 1 – Aluminum Threshold

- The threshold provided from the factory will have a notch to fit around the frame rabbit.
- Install the threshold using acoustic caulking. Lay multiple continuous beads under the threshold before mounting it in place.
- You'll notice where the frame jambs meet the threshold there is a small pocket (refer to Figure A) that needs to be filled with caulking to achieve the full performance.

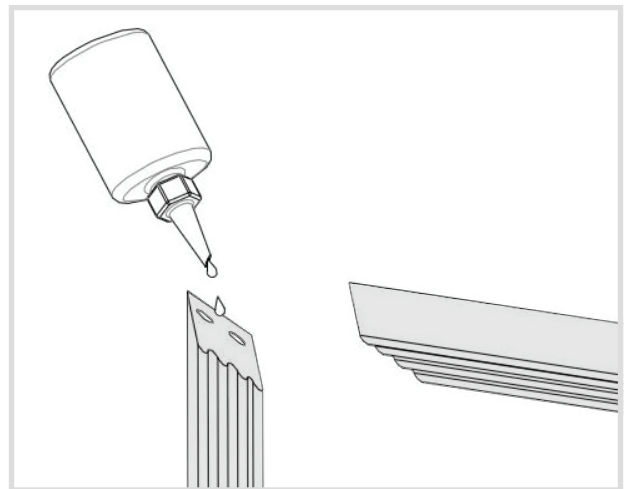
Figure A



STEP 2 – Gluing Seals

- Locate the two neoprene jamb seals. They will have an angled miter cut on one end.
- Next locate the shorter head seal with two miter cuts.
- To adhere the mitered seal corners together use a thick super glue and press the two seals together to create a strong bond. Try not to place glue near the neoprene finger edge as this can hinder the seal performance. Keep in mind the neoprene fingers should line up and face inward to make contact with the door as shown in Figure B.
- Repeat the previous step on the other corner of the head seal.

Figure B



NOTE: Seal fingers should line up at the mitered corner

STEP 3 – Placing Seals

- Once the frame is painted and completely cured you can place the seals into the frame pocket.
- Start in a corner and work your way across the head pressing the seal uniformly into the pocket.
- Work your way down each jamb by pressing the seal without pulling or stretching down.
- Cut the excess seal to fit tightly against the aluminum threshold. There should not be a gap between the threshold and the seal as this can cause an acoustic leak.

End Instructions