



What to Know Before Getting Started

1. **NOTE:** This guide does not apply to Krieger's Electrified Cam Lift Hinges. See **Installation Guide 136** for installation instructions:



Download guide

https://www.kriegerproducts.com/support/manuals/IG_136.pdf

2. Review **Installation Guide 113** and **Installation Guide 114** for installation instructions on installing Cam Lift door bottoms:



Download guide

https://www.kriegerproducts.com/support/manuals/IG_113.pdf



Download guide

https://www.kriegerproducts.com/support/manuals/IG_114.pdf

3. Review **Installation Guide 135** for instructions on installing Krieger's Cam Lift Hinge with coupling sleeves:



Download guide

https://www.kriegerproducts.com/support/manuals/IG_135.pdf

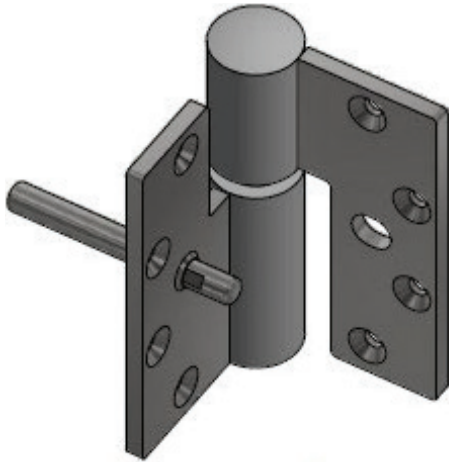
4. **NOTE:** Lubrication and Maintenance

- The hinges can be lubricated without dropping the door off the hinges via the M6 (zerk) grease fitting. We recommend the hinges being lubricated at install and every 50,000 cycles (or 6 months) with Shell Gadus S3 V220C, or another red-lithium complex grease with a similar viscosity.
- **WARNING:** The use of other solvent-based lubricants may adversely react with hinge sleeve, seals, and paint.

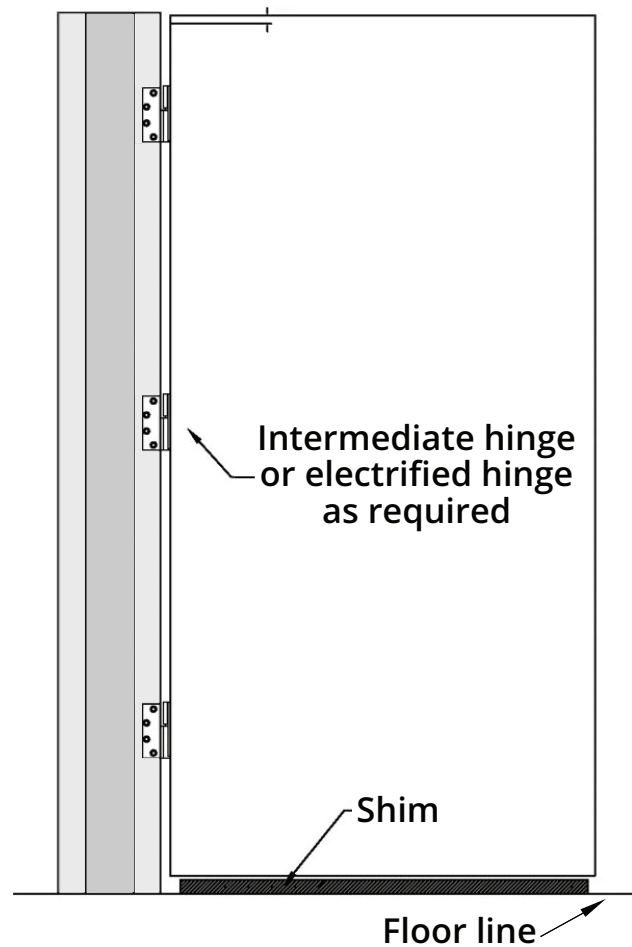
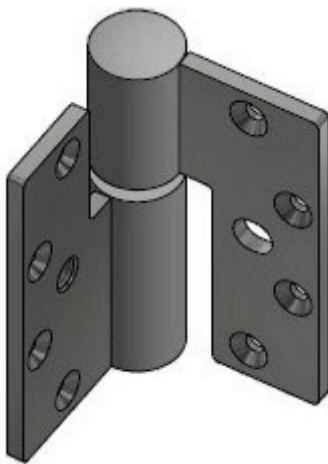
Overview

- Krieger's HC30 Cam Lift Hinges feature an innovative design and are machined from 316 stainless steel.
- The HC30 security pin is recommended for high-security, forced entry, pressure, and SCIF applications. The security pin can be purchased separately, and the hinge leaf can be prepped in the field, utilizing ½"-13 tap and cutting fluid.
- When swung open, the door rises to a max height of ⅜" at 180°.
- The HC30 is compatible with all Krieger legacy products requiring Cam Lift Hinges.

Hinge Shown with Security Pin



Hinge as Standard



Rev. 010524

Installation Instructions

STEP 1

- Remove factory installed Cam Lift door bottom before starting the hinge installation.
-

STEP 2

- When preparing to hang the door, first mount the assembled hinges to the frame with arrows pointing up.
 - **DO NOT** mount the hinge halves separately to the frame and door and attempt to lift the door onto the hinges. This will damage the hinge assembly, causing possible conditions ranging from sagging to sub-optimal performance and decreased longevity.
-

STEP 3

- Move the door to the open 90-degree position. Shim as required to elevate the door enough to align the hinge mounting points. After all door hinge screws are installed, you may remove the shims.
- Krieger recommends leaving the (zerk) grease fitting installed, although a M6 fastener can be utilized if desired for concealed/flush aesthetics.

End Instructions