



What to Know Before Getting Started

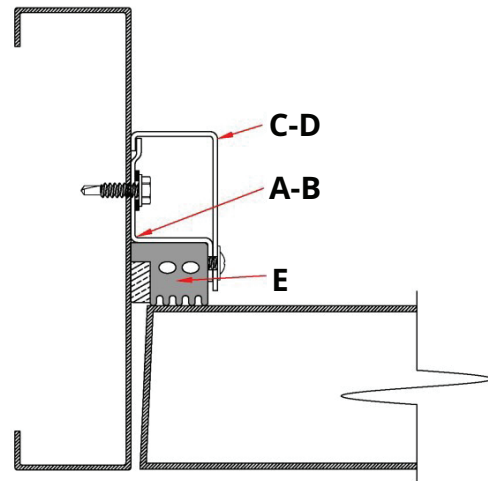
1. WARNING REGARDING PAINT AND VINYL SEALS

- All paint applied to the doors and frames should be completely dry **BEFORE** adjusting sound seals.
- Please be sure to use low-VOC solvent or water-based paint to reduce paint outgassing from breaking down the gasket seal.

2. NEVER MOUNT ANY HARDWARE ON THE SOUND SEAL COVERS!

3. Required Materials:

- (A) 2 jamb seal retainers (notched at TOP end)
- (B) 1 head retainer (D)
- (C) 2 jamb seal caps ("L" profile) (A)
- (D) 1 head seal cap ("L" profile) (A)
- (E) 3 acoustical neoprene/felt seals
- Assorted screws and washers



We're Here to Help

If after reviewing this guide, you have any questions or concerns, please call us at **562-695-0645** or visit kriegerproducts.com/contact/ for more information.

Part 1: Mounting Instructions

STEP 1

- Measure the jamb height from the bottom of the frame head to the top of the threshold. Measure height on the strike side and the hinge side as these measurements may be slightly different. (Measure to 1/16" for a precise fit.)
-

STEP 2

- Locate the jamb retainers and cut the **BOTTOM** ends to fit the frame measurements. **DO NOT** cut the top notched end.
 - Test fit the jamb seal retainers and adjust accordingly.
-

STEP 3

- Mount the jamb seal retainers in place using the provided #10 x 3/4" sheet metal screws and rectangular washers.
-

STEP 4

- Locate the head retainer and measure the distance between the jamb retainers; cut to size.
 - Mount the retainer in place using the provided #10 x 3/4" sheet metal screws and rectangular washers.
-

Part 2: How to Pre-Miter Cut and Glue the Neoprene Seals

STEP 1

- Measure the width of the door opening at the head of the frame.
-

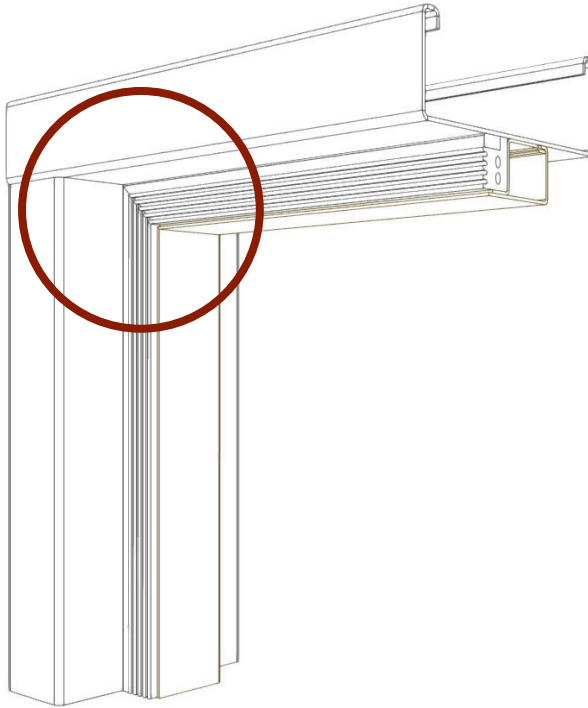
STEP 2

- Locate the shorter neoprene seal and with felt sides facing outward towards frame use a razor blade carefully cut the neoprene seals at a 45° angle on both ends angling inward to the frame width measurement.
 - Cut a 45° miter on one end of the other two neoprene seals.
 - Super glue the three pieces together at the miter joints.
-

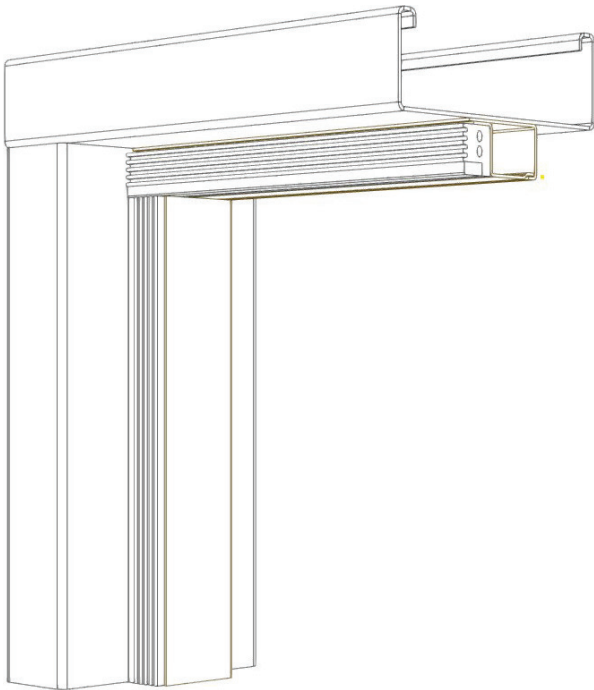
STEP 3

- Install into the jamb seal retainers starting with the head and moving down each jamb without stretching or pulling the seals.
 - Cut excess at the bottom of each jamb seal retainer.
 - To cut down the jamb seal caps, measure from the long side of the notched end and mark $\frac{1}{16}$ " less than your jamb seal retainer height measurement.
 - Double-check your measurement and cut to fit.
-

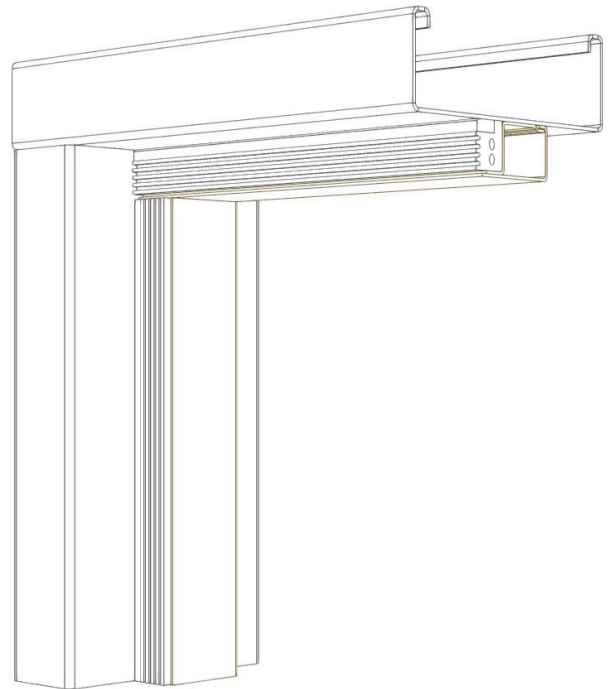
Mitered: Correct



Butted: Incorrect



Butted: Incorrect



Rev. 010524

Part 3: Adjustment Instructions

STEP 1

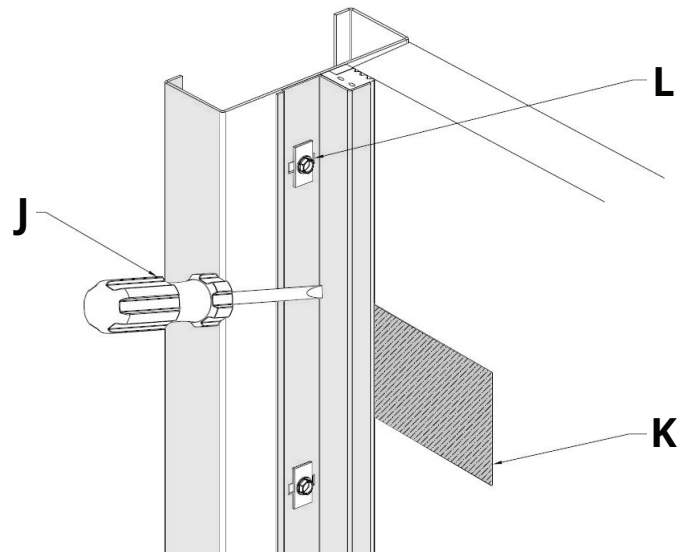
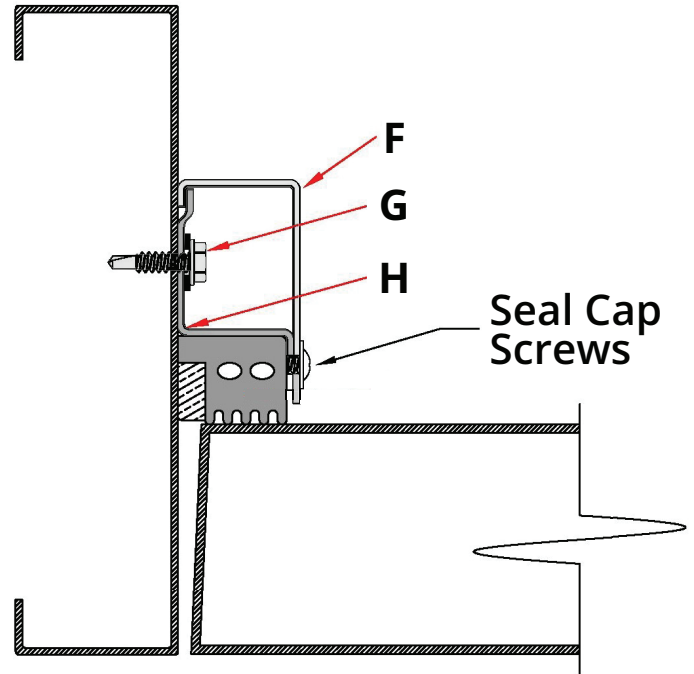
- Begin by removing all caps (F) from retainers (H) beginning with the header.
- Close and latch the door.

STEP 2

- Loosen the retainer screws (G) from the slotted holes (L).
- Slide the loose seal forward until the surface of the seal contacts the door.
- Work your way around the door, pressing the seal against the door while tightening each screw. Be sure to check that the seal is not pressed too tightly against the door as this may cause latching issues.

STEP 3

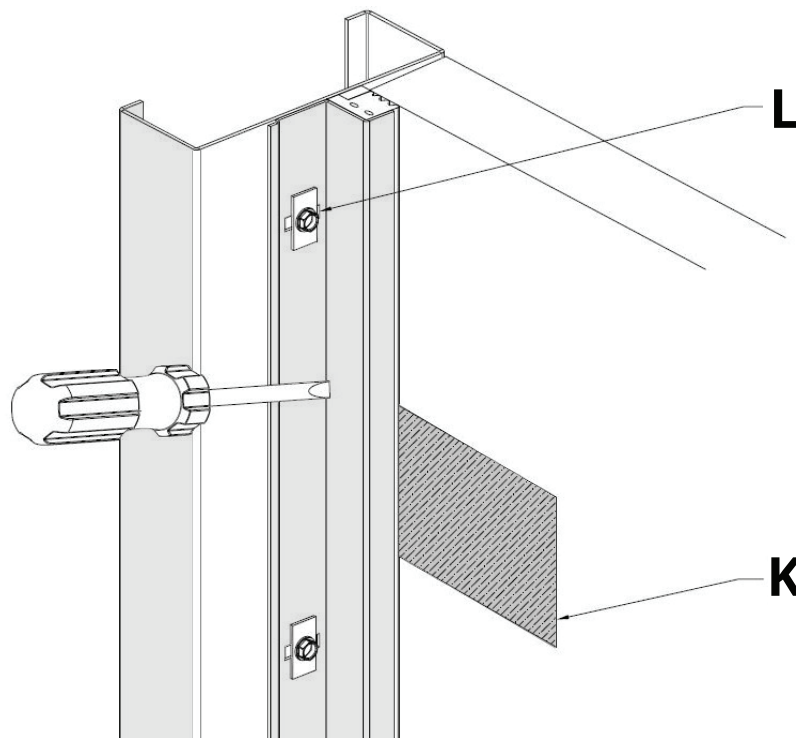
- Check the gap between the door and the seal with the plastic card provided (K).
- If there is a gap in a section of the seal, loosen the screw closest to adjust it. With a screwdriver (J) you can tap the section of the jamb seal retainer with a hammer where it does not make contact. Then retighten the screw.



Rev. 010524

STEP 4

- When the seals are properly adjusted, the provided card (K) should slip between the door and seal with the door latched. The card should fit snugly, but not so tight that it will bend. At any point of the seal the card should stay in place under its own weight.
- Check the door seal by firmly closing the door several times and rechecking for positive contact around the perimeter of the door.
- After this final adjustment, tighten all the #10 sheet metal screws provided between the slotted hole to lock the retainer in place.
- Finally, check for any light leaks between the frame and retainer or at the mitered corners.
- **Never mount any hardware on the sound seal covers!**



End Instructions