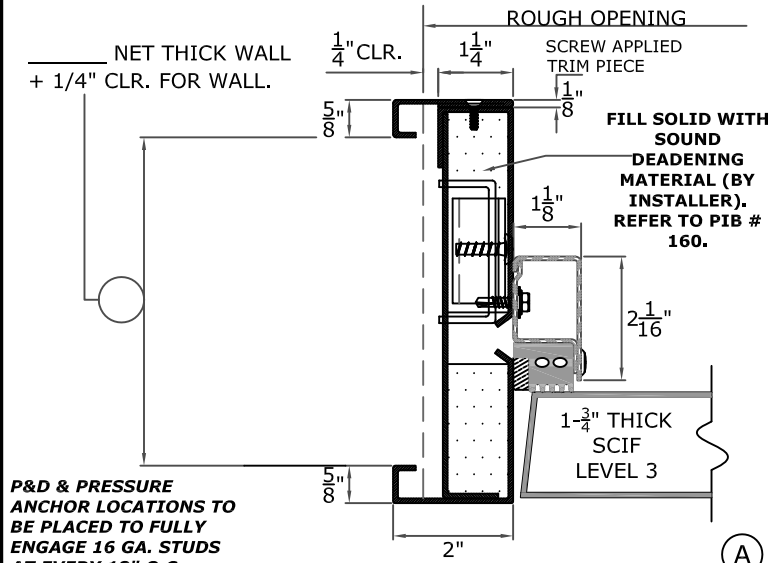


**SCIF LEVEL 3
SHORT ORDER**

OPENING SIZE - ___' ___" x ___' ___" - ROUGH OPENING = ___' ___" x ___' ___"

(Rough Opening Dimension = Door Opening Width + 3"; Door Opening Height + 1-1/2")



P&D & PRESSURE ANCHOR LOCATIONS TO BE PLACED TO FULLY ENGAGE 16 GA. STUDS AT EVERY 18" O.C.

HARDWARE:

DOOR (MARK #): _____

DOOR HARDWARE: _____

5" X 5" X .190" CAM LIFT HINGES (BY KSP)

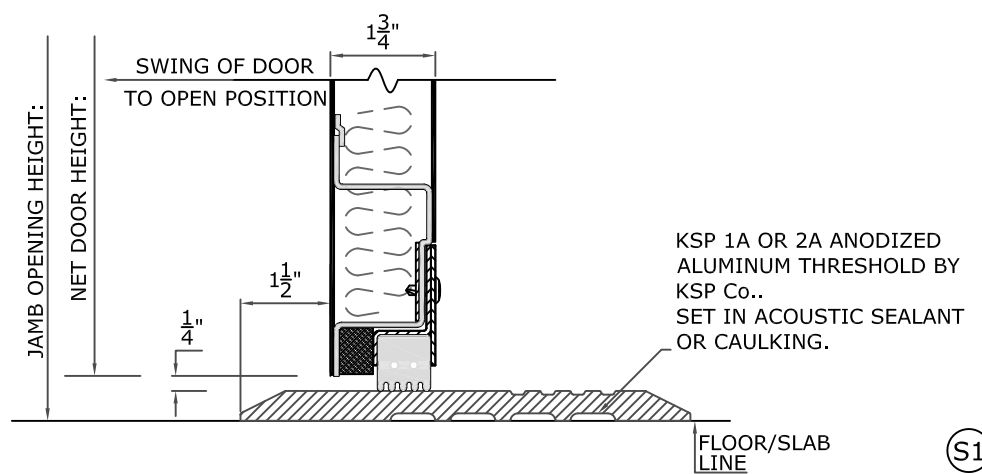
HIGH SECURITY DEADLOCK & STRIKE #:

CLOSER: _____

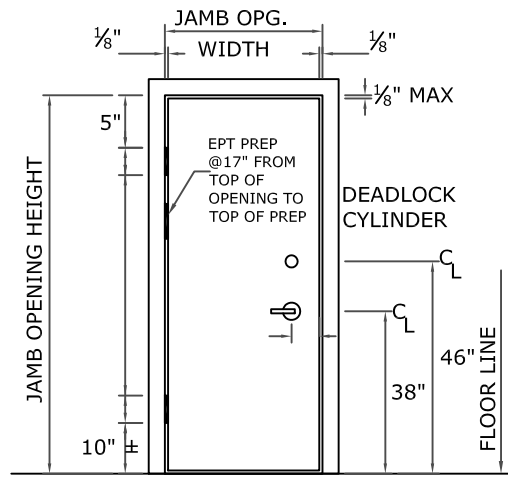
LOCKSET: _____

KSP 1A or 2A THRESHOLD

APPROVED: X _____



(S1)

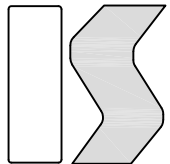


(EL)

FOR APPROVAL

1. SUPPLY WALL CONSTRUCTION & DIMENSIONS.
2. ADVISE FLOORING/SILL CONDITION.
3. SUPPLY DOOR OPENING OR ROUGH OPENING DIMENSIONS.
4. CIRCLE HANDING
5. SUPPLY MARK NUMBER
6. SUPPLY HARDWARE SETS/DEFINITIONS
7. SIGN FOR APPROVALS

AS BUILT DRAWINGS WILL BE SENT FOR INSTALLERS USE; PRODUCT BULLETINS/INSTALLATION DOCUMENTS AVAILABLE AT WWW.KRIEGERPRODUCTS.COM/INSTALLATION.



SCIF Level 3 (STC 50; FSTC 45)

KRIEGER STEEL PRODUCTS
Pico Rivera, CA
(562)695-0645

SCIF Sound Level 3

Project No: _____

Date: _____

Drawn By: _____

Detail: _____

Sheet: _____

SWING DETERMINATION: CIRCLE HANDINGS

