



What to Know Before Getting Started

NOTE: This installation guide is for use with Krieger DB-3 door bottoms.



We're Here to Help

At Krieger, we understand every project is unique. If after reviewing this guide, you have any questions or concerns about installing, adjusting, or maintaining your Krieger product, our engineering department is here to help.

Please call us directly at **562-695-0645** or reach out to your regional sales representative.

Visit [kriegerproducts.com/contact/](https://www.kriegerproducts.com/contact/) for more information.



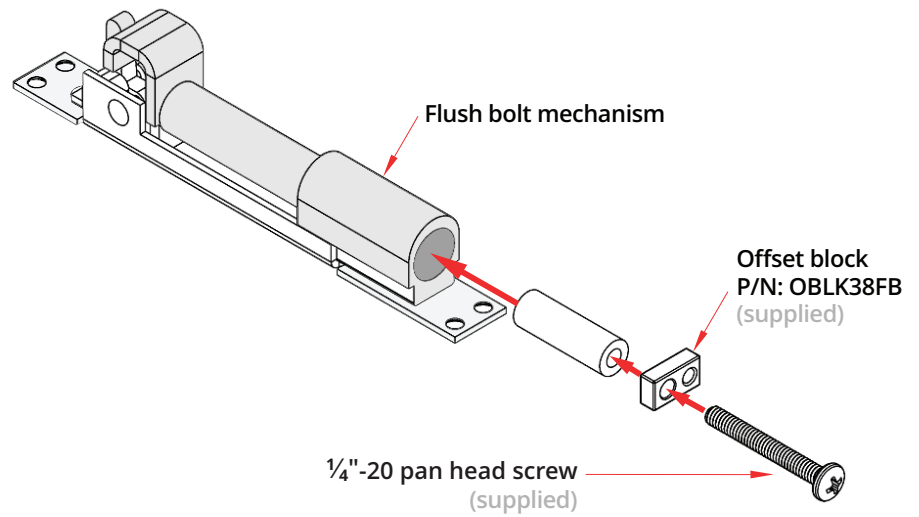
Made in the USA

All Krieger products are proudly designed and manufactured in the United States.

Installation Instructions

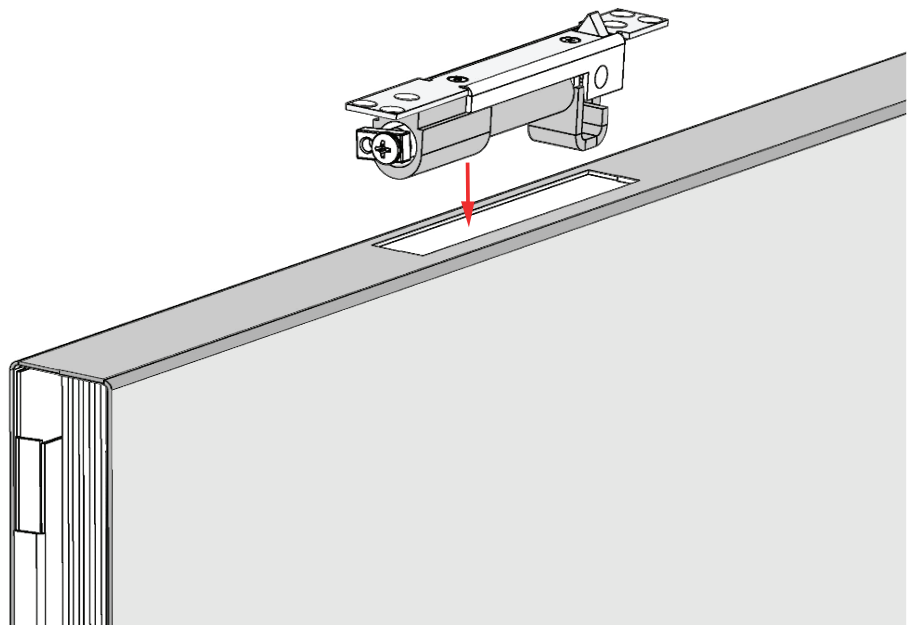
STEP 1

Attach offset block and spacer to the flush bolt.



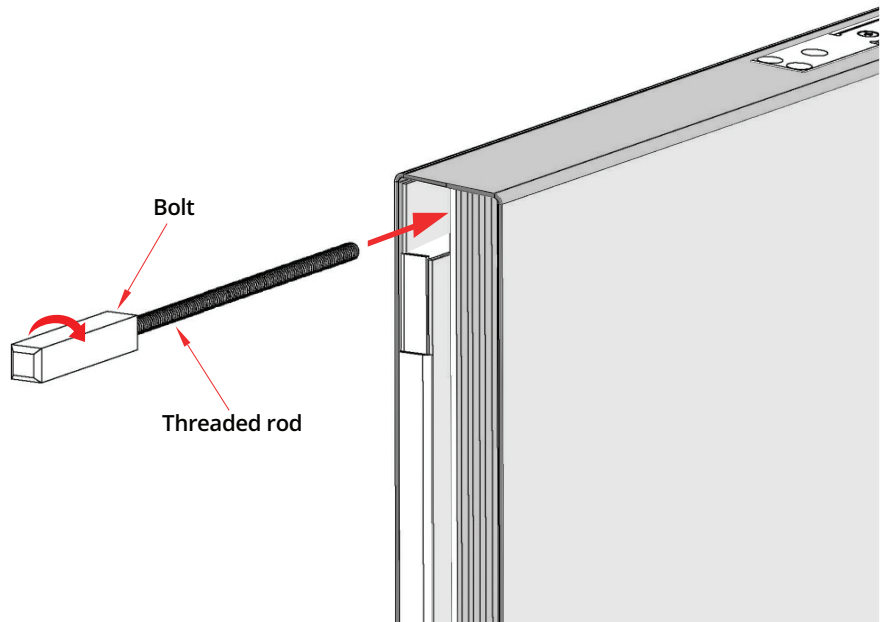
STEP 2

Insert flush bolt mechanism into opening on door edge.



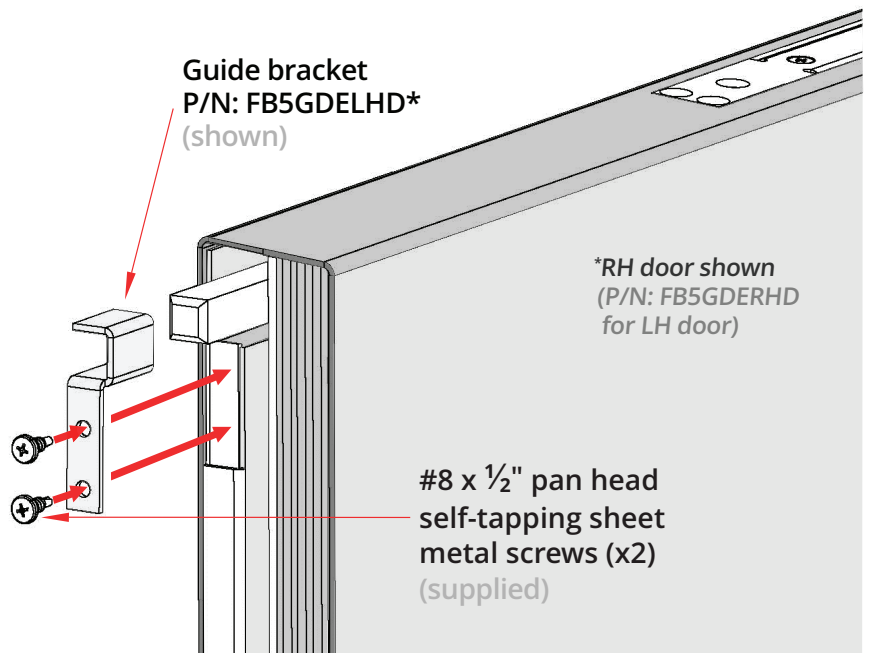
STEP 3

Screw bolt and threaded rod into flush bolt mechanism through opening in bottom of door until the required amount protrudes.



STEP 4

Attach the guide bracket over the bolt and secure with two #8 x 1/2" pan head screws.



End Instructions