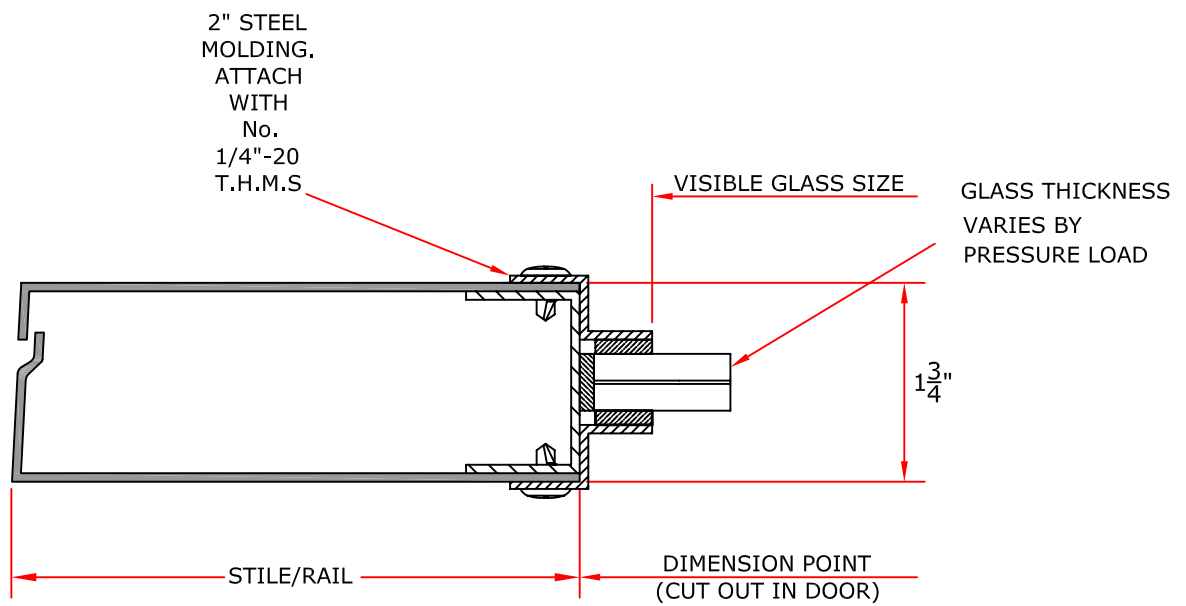


# KBR 3.0 psi



Pico Rivera, CA 90660  
 (562) 695 - 0645



\*Laminated, fully heat tempered clear glass. Thickness and number of piles to be determined by manufacturer to suit the overpressure criteria.

# KBR 3.0 psi



Pico Rivera, CA 90660  
(562) 695 - 0645