



## What to Know Before Getting Started

**DO NOT** place wedges, electrical cords, or other objects under the door bottom. This will damage or tear the neoprene.



### We're Here to Help

At Krieger, we understand every project is unique. If after reviewing this guide, you have any questions or concerns about installing, adjusting, or maintaining your Krieger product, our engineering department is here to help.

Please call us directly at **562-695-0645** or reach out to your regional sales representative.

Visit [kriegerproducts.com/contact/](https://www.kriegerproducts.com/contact/) for more information.

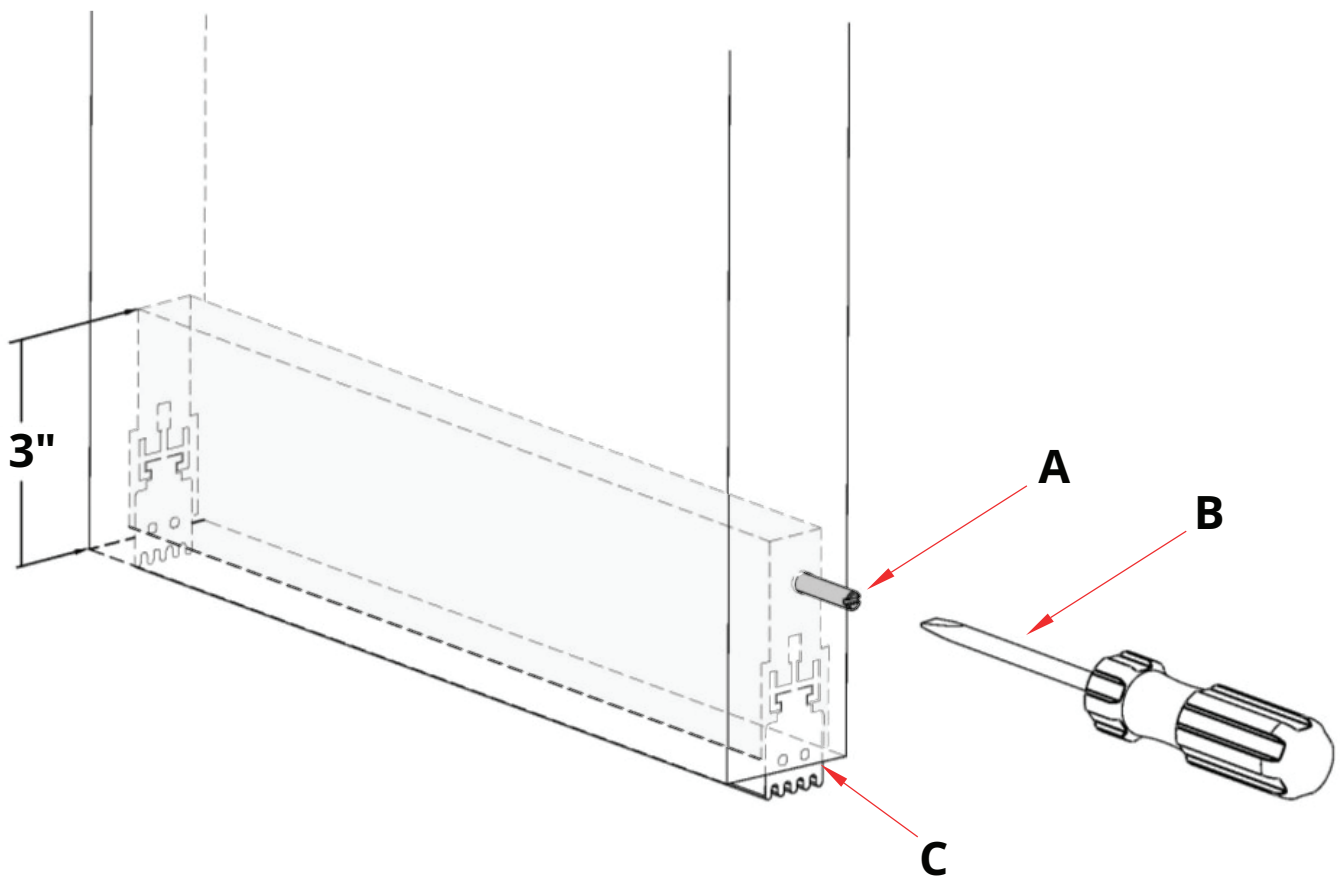


### Made in the USA

All Krieger products are proudly designed and manufactured in the United States.

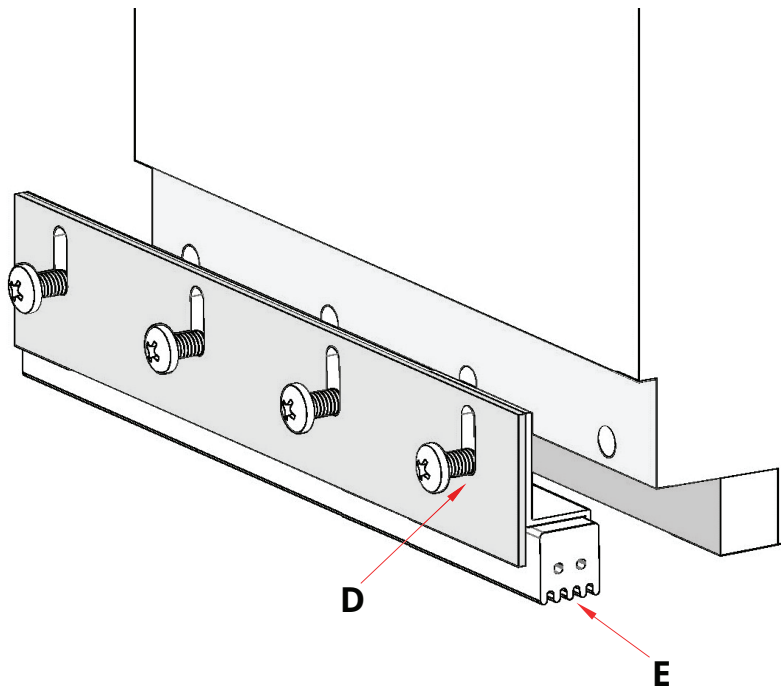
## Automatic Door Bottom Seal

- Adjust the door bottom by turning plunger (A) at the hinge edge of the door in or out with a screwdriver (B). Adjust so that the door bottom (C) seals positively, but without excessive pressure and retracts once the door begins to open.
- **DO NOT** drill or screw into the door 3" from bottom of the door. If you must, ensure screws do not pierce or damage the automatic door bottom. Mounting any hardware such as kick plates into the automatic door bottom assembly may damage the mechanical movement.
- The automatic door bottom can move up to  $\frac{3}{8}$ ". Contact Krieger if the gap exceeds  $\frac{3}{8}$ ".
- Because the automatic door bottom (DB3) is preinstalled, do not store or slide the door on the bottom.



## Cam Lift Door Bottom Seal

- With the door in the closed position, loosen the door bottom screws (D).
- Adjust the door bottom down until the neoprene seal (E) makes full contact with the threshold and firmly tighten the screws (D).
- The neoprene seal (E) should be trimmed to extend beyond the door  $\frac{1}{8}$ " on each side.
- Open and close the door several times and check the adjustment with the thin plastic card provided. When the seals are properly adjusted, the card should slip between the sill and the seal. The card should fit snugly, but not so tight that the card is difficult to remove or bend upon insertion.
- The area around the door should be free from dirt and debris as this can damage the seal.
- Once the door bottom seal has been adjusted, apply acoustic sealant in the slotted adjustment holes.
- The door bottom can be adjusted up to  $\frac{1}{4}$ " to make contact with the threshold. Contact Krieger if the gap exceeds  $\frac{1}{4}$ ".



End Instructions