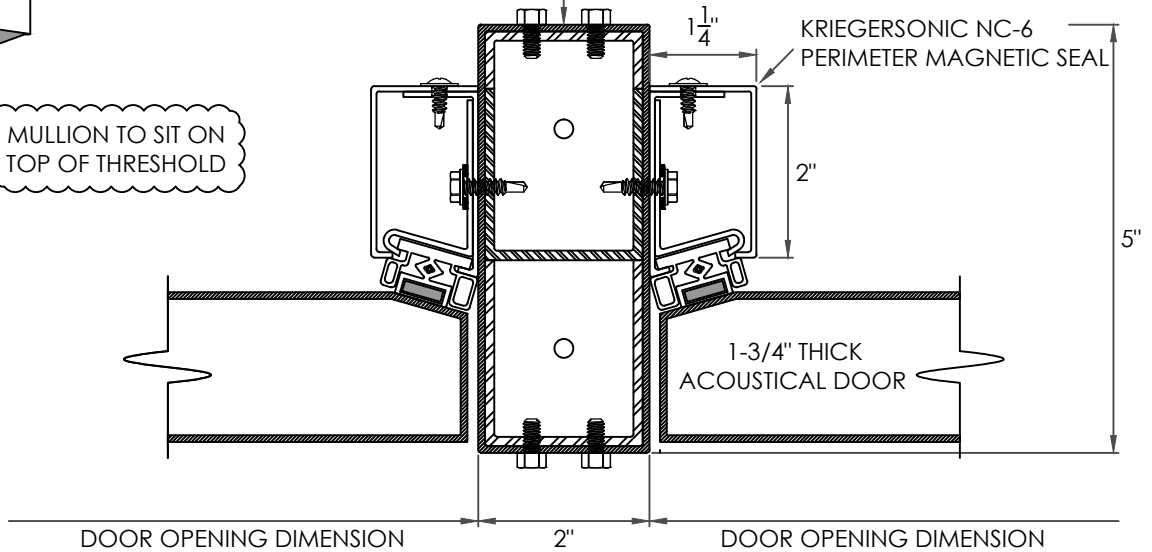


1 3/4" x 12 GAUGE
MULLION FLOOR &
HEAD SHOES. (2) EACH

FIELD INSTALL FLOOR ANCHOR &
ATTACHED 1/4-20 DIA. HEX HD. SCREWS
(2) EACH SIDE AS SHOWN. BY OTHERS

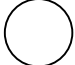
MULLION TO SIT ON
TOP OF THRESHOLD



NC-6 Mullion Detail

4880 Gregg Road
Pico Rivera, CA 90660
(562) 695 - 0645

Project No: _____
Date: _____
Rev.: _____
Rev. Date: _____
Drawn By: _____

Detail:  _____
Sheet: _____