



What to Know Before Getting Started

- This installation guide is for Krieger door assemblies with a Sargent & Greenleaf (S&G) 2890B/2890C lock installed by Krieger.
- Before connecting the lock assembly to a power source, verify the required voltage and refer to the diagrams to determine the correct colored wire to connect it to.



We're Here to Help

At Krieger, we understand every project is unique. If after reviewing this guide, you have any questions or concerns about installing, adjusting, or maintaining your Krieger product, our engineering department is here to help.

Please call us directly at **562-695-0645** or reach out to your regional sales representative.

Visit [kriegerproducts.com/contact/](https://www.kriegerproducts.com/contact/) for more information.



Made in the USA

All Krieger products are proudly designed and manufactured in the United States.

Wiring Schematic and Information

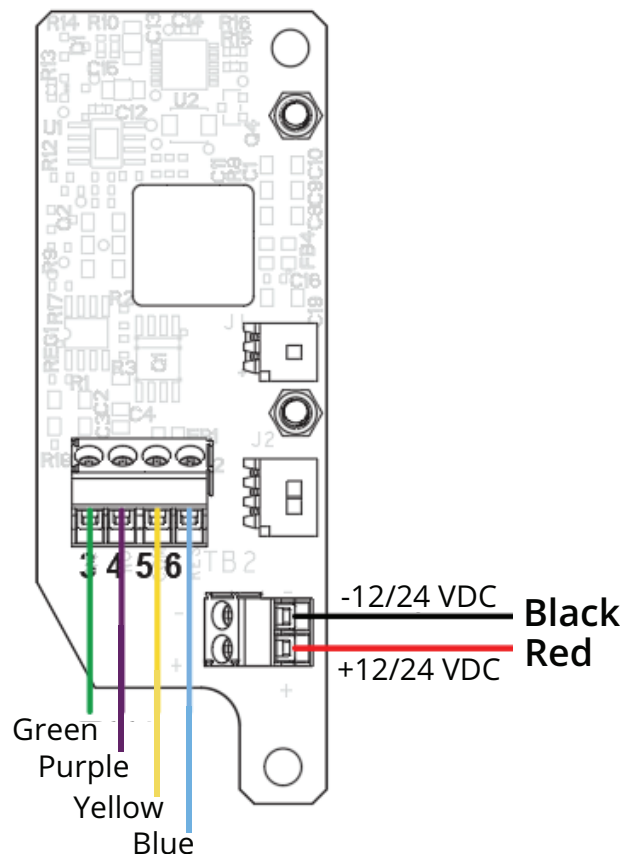
Krieger door assemblies with a S&G 2890B/2890C lock that has been installed by Krieger will have power and ground connected to the terminal blocks of the lock assembly.

- Once the desired functional configuration has been determined, cap off any unused conductors.
- The color layout of the wires can be rearranged if desired at the discretion of the decision-making authority pertaining to access controls.
- Integration of the devices' request-to-exit (REX) switches or any additional access control components is the responsibility of others, such as licensed electricians or security controls technicians whose duties entail utilizing the appropriate wiring harness conductors installed by Krieger and following the necessary electrical standards to ensure safe and effective integration of these systems with the lock mechanism.

Wiring S&G 2890B/2890C

- The red wire on the S&G terminal block is capable of handling both 12 and 24 VDC for both positive and negative terminals.
- There are 4 additional terminals shown in the figure that can be used for access control; the installer is responsible for connecting any other devices that may be needed.
- Note that the S&G 2890C terminal block has 4 additional connections to support the automatic bolt retraction (ABR) feature, which are not illustrated in the figure.
- Since ABR is an optional add-on, Krieger does not have a wiring standard. Any of the unused 28-gauge conductors in the wire harness can be used at the discretion of the installer to support the ABR.

S&G 2890B/2890C Terminal Block



End Instructions

Rev. 010524