



What to Know Before Getting Started

1. NOTE: The pictures in this IG are provided to help explain how to mount strikes, closer brackets, and a coordinator onto the frame with the use of Z or L brackets.

2. WARNING: WHAT NOT TO DO

- **DO NOT** mount any strike, bracket, or coordinator directly onto the sound seal caps; this will damage the seals and cause sound to leak through.
- Z or L brackets must be attached to the frame, allowing the strike or closer bracket to mount in the same position over the seals.
- Seal caps are not strong enough to support the repeated opening and closing of the door.



We're Here to Help

At Krieger, we understand every project is unique. If after reviewing this guide, you have any questions or concerns about installing, adjusting, or maintaining your Krieger product, our engineering department is here to help.

Please call us directly at **562-695-0645** or reach out to your regional sales representative.

Visit [kriegerproducts.com/contact/](https://www.kriegerproducts.com/contact/) for more information.

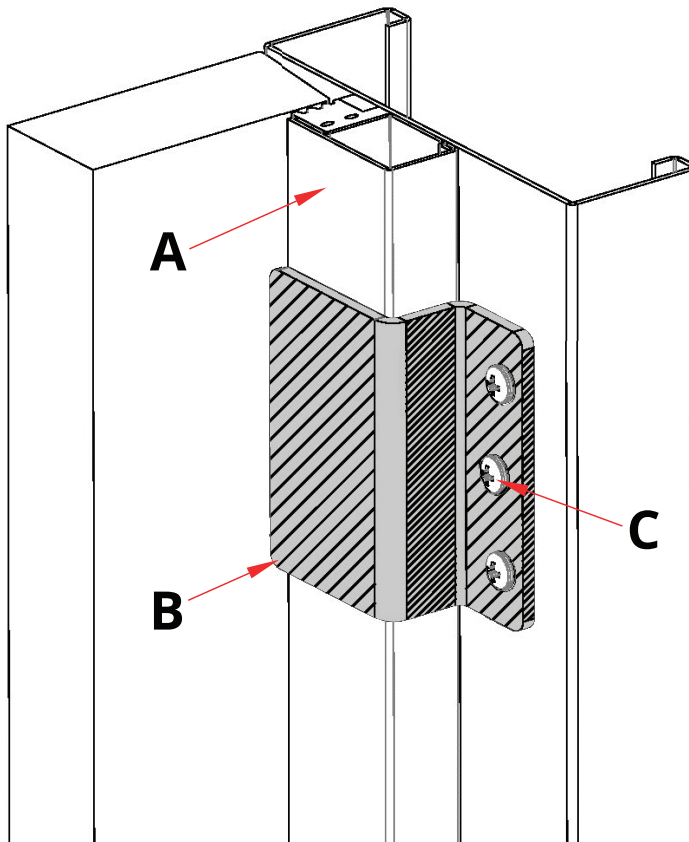


Made in the USA

All Krieger products are proudly designed and manufactured in the United States.

Z Bracket Overview

- Krieger Z brackets are used on door assemblies with an applied stop seal system.
- Any hardware that is mounted to the soffit of the frame will need a Z bracket, such as closer arms, strikes, etc.
- The Z bracket mounts over the sound seal assembly (A) as shown in the figure. This provides a rigid mounting surface for closers and other soffit-mounted hardware.
- Krieger provides a heavy-gauge Z bracket (B) and ¼-20" pan head machine screws (C).
- The frame also comes with a reinforcement plate for secure mounting of the brackets.
- The hardware installer is responsible for drilling and tapping to mount the bracket and hardware.

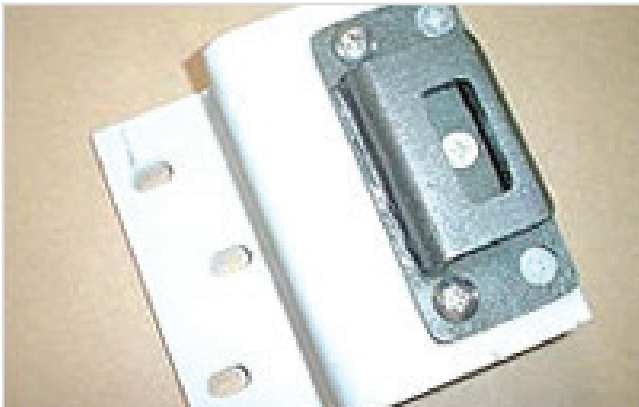


Mounting Instructions for Strikes and Closer Brackets

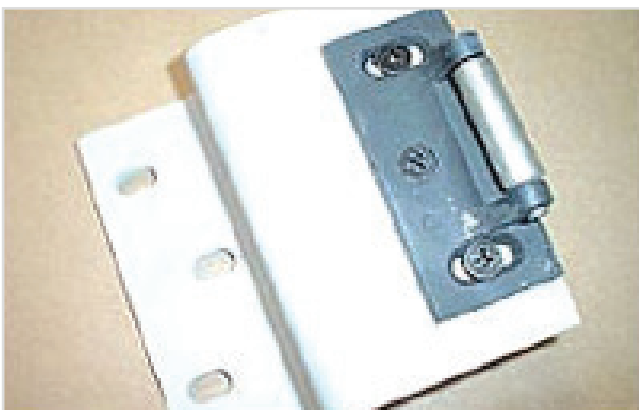
STEP 1

Make sure to pre-drill the holes for the strike onto the Z bracket before mounting onto the frame.

Mounting of a #2 Strike onto a Z Bracket

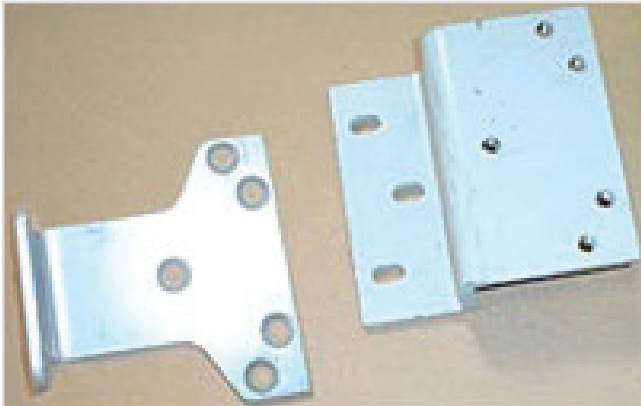


Mounting of a Rim Panic Strike to a Z Bracket



STEP 1 (Continued)

Mounting of a Closer Bracket to a Z Bracket



Incorrect examples



STEP 2

The Z bracket is mounted in the necessary position and attached with 3 each: ¼-20 PHMS.



The closer bracket is then mounted onto the Z bracket

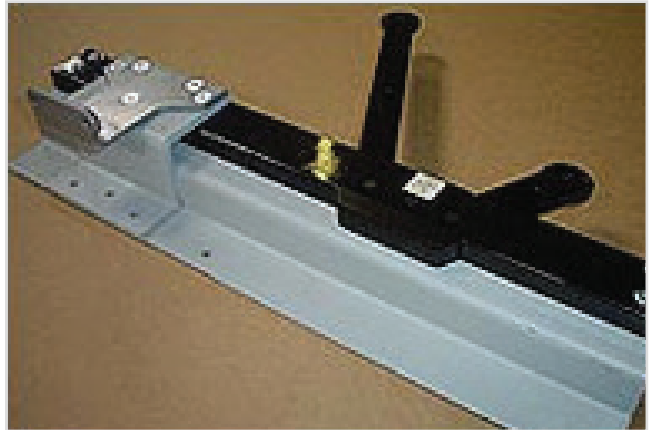
STEP 3

- The reason for mounting a coordinator to a Z bracket is because the seals will get in the way of the coordinator arms.
- To avoid cutting the seals, the coordinator is again mounted to the Z bracket, and then the whole assembly is mounted onto the frame.



STEP 4

- Then attach another Z bracket with a closer bracket mounted on top of the coordinator Z bracket.

**Mounting of an L Bracket with a Closer Bracket****STEP 1**

- This is very similar to the Z bracket mounting.
- L brackets are used on frames that are less than 6 3/8".
- L brackets are mounted onto the face trim of the frame whereas Z brackets are mounted onto the soffit of the frame.



End Instructions

Rev. 010524