



What to Know Before Getting Started

1. **NOTE:** The Krieger removable mullion height is pre-designed to work with our aluminum threshold.

2. **Install the frame according to our standards explained in Installation Guide 100:**



Installation Guide 100

Frame Installation

https://www.kriegerproducts.com/support/manuals/IG_100.pdf

3. **NOTE:** Select the appropriate floor anchor for your floor type. For a concrete floor we recommend a concrete stud anchor. **Please reference Installation Guide 115 for acoustical threshold installation instructions:**



Installation Guide 115

Threshold Installation for Acoustical Applications

https://www.kriegerproducts.com/support/manuals/IG_115.pdf



We're Here to Help

At Krieger, we understand every project is unique. If after reviewing this guide, you have any questions or concerns about installing, adjusting, or maintaining your Krieger product, our engineering department is here to help.

Please call us at **562-695-0645** or reach out to your regional sales representative. Visit [kriegerproducts.com/contact/](https://www.kriegerproducts.com/contact/) for more information.

Installation Instructions

STEP 1

- Remove the shipping spreader bar from the bottom of the frame and mullion. This is for shipping purposes only.
- Next remove the mullion (A) from the upper mullion shoe (D) on the frame header with the two $\frac{1}{4}$ "-20 x $\frac{1}{2}$ " F.H.M.S (B).

Figure 1

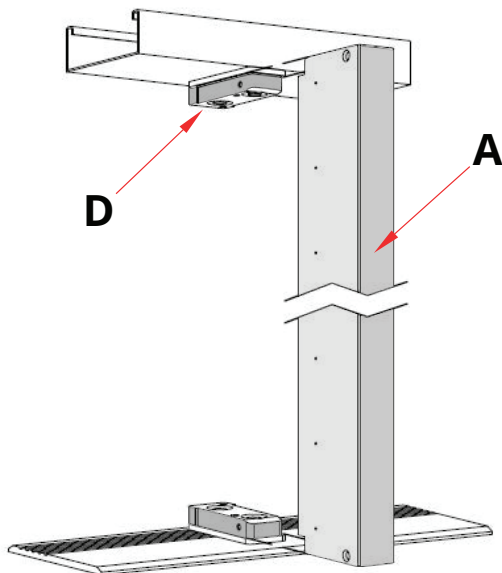
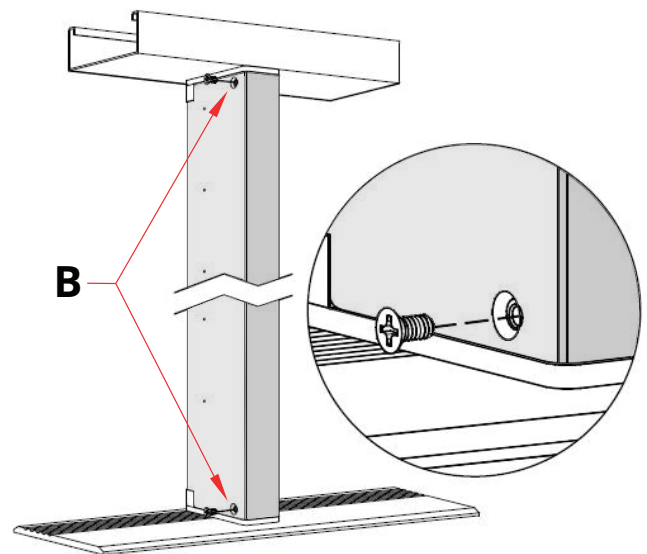
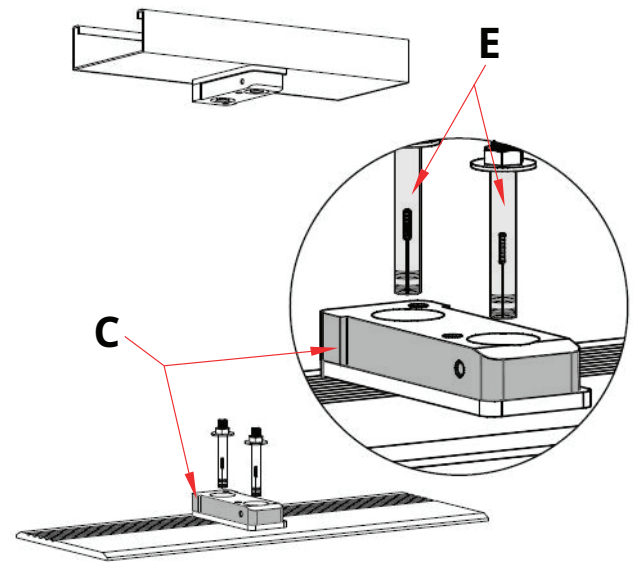


Figure 2



STEP 2

- Remove the lower mullion shoe (C) from the mullion.
- Once the frame is installed you can now mark the placement of the lower mullion shoe (C) into the threshold.
- On the floor or threshold, mark the center on the opening between the jambs. If the pair is unequal you will need to measure accordingly.

Figure 3**STEP 3**

- With a straight edge resting against the frame face, mark the front of the mullion shoe as shown in Figure 4.
- Mark the two hole locations in the aluminum threshold for the mullion shoe mounting holes.

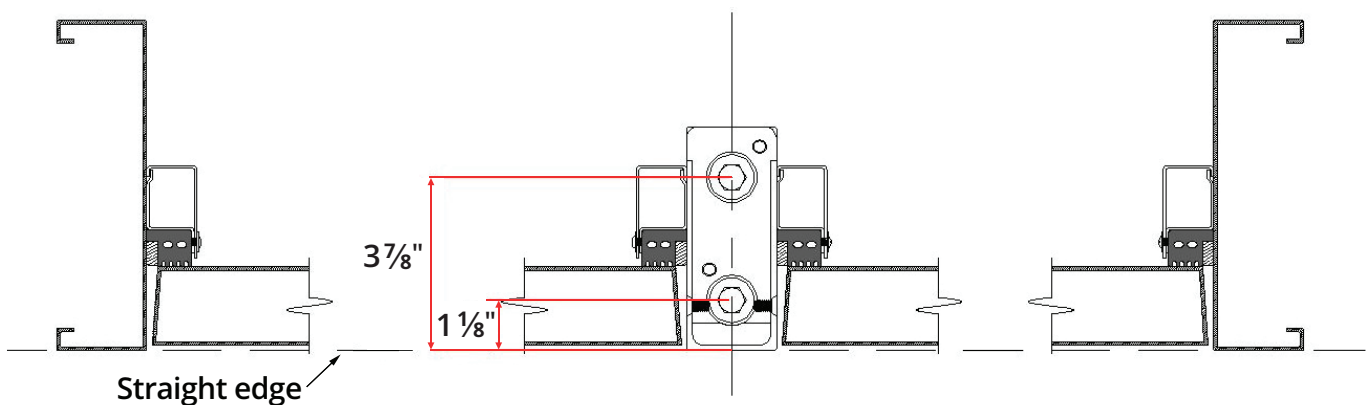
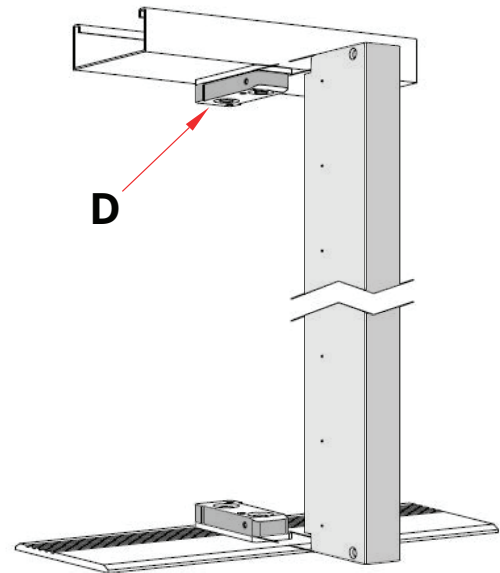
Figure 4

Figure 1

STEP 4

- Temporarily remove the threshold to drill two ½" holes through the threshold to have clearance for a ⅜" anchor (D, shown in Figure 1).
- Place the threshold into position and drill into the concrete floor with the appropriate size hole for your ⅜" anchor type. Install the two anchors and the aluminum threshold into position.



End Instructions